

NAISHIP 94655

JOHN FLUKE MFG. CO. INC.

P. O. Box 7428

Seattle 33, Washington

October 20, 1962

MODEL 803B

AC/DC

DIFFERENTIAL VOLTMETER

803B 123 f on

803BR _____

803B/AG 123 f on

803BR/AG _____

TABLE OF CONTENTS

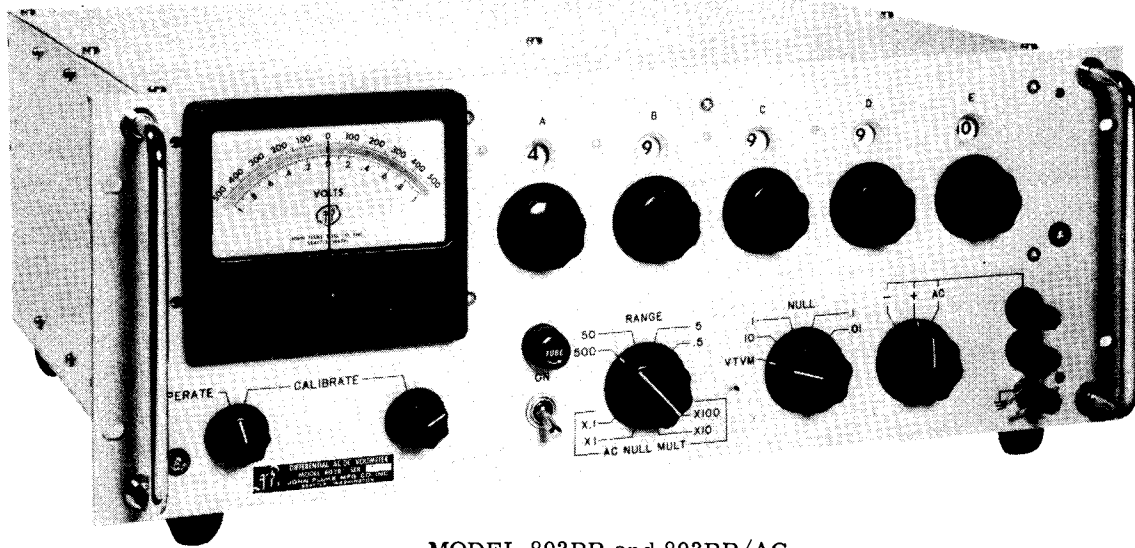
Section	Title	Page
I	INTRODUCTION AND SPECIFICATIONS	1-1
	1-1. Introduction	1-1
	1-2. Damage in Shipment.	1-1
	1-3. Specifications	1-1
II	OPERATING INSTRUCTIONS	2-1
	2-1. Controls, Terminals, and Indicators	2-1
	2-2. Zeroing Instructions.	2-3
	2-3. Preliminary Operation	2-3
	2-4. Operation as a DC Differential Voltmeter	2-3
	2-5. Operation as an AC Differential Voltmeter.	2-3
	2-6. Operation as a Conventional VTVM.	2-4
	2-7. Measurement of Voltage Excursions about a Nominal Value.	2-4
	2-8. Use of 803B with a Recorder	2-5
	2-9. Measurement of High Resistances	2-6
	2-10. Notes on Measuring AC or DC Voltages	2-6
	2-11. Notes on Measuring DC Voltages.	2-6
	2-12. Notes on Measuring AC Voltages.	2-7
III	THEORY OF OPERATION.	3-1
	3-1. General	3-1
	3-2. DC Attenuator.	3-2
	3-3. Null Detector	3-2
	3-4. 500 VDC Reference Power Supply	3-3
	3-5. Kelvin-Varley Divider	3-3
	3-6. AC to DC Converter.	3-4
	3-7. AC - DC Polarity Switch	3-5
	3-8. Null Detector Power Supply	3-5
IV	MAINTENANCE	4-1
	4-1. General	4-1
	4-2. Preventive Maintenance.	4-1
	4-3. Troubleshooting.	4-1
	4-4. Calibration	4-4
V	LIST OF REPLACEABLE PARTS.	5-1
VI	ACCESSORIES.	6-1
	6-1. Precision Voltage Dividers.	6-1
	6-2. Potentiometric Recorder	6-2
	WARRANTY	
	CIRCUIT DIAGRAM	

LIST OF ILLUSTRATIONS

Figure	Title	Page
Frontispiece	803B Precision AC/DC Differential Voltmeter	iv
2-1	Controls, Terminals, and Indicators (sheet 1 of 2).	2-1
2-1	Controls, Terminals, and Indicators (sheet 2 of 2).	2-2
2-2	Recommended Null Settings	2-3
2-3	VTVM Ranges	2-4
2-4	Full Scale AC Deflections	2-5
2-5	Recorder Recommended Connection Diagram.	2-5
2-6	Percent Error Due to Harmonic Distortion	2-7
2-7	Signal Voltage with Converter Noise	2-8
3-1	803B AC/DC Differential Voltmeter Block Diagram	3-1
3-2	DC Function of AC-DC Polarity Switch	3-4
4-1	Troubleshooting (sheet 1 of 2)	4-2
4-1	Troubleshooting (sheet 2 of 2)	4-3
4-2	Calibration Equipment	4-4
4-3	Adjustment Locations	4-5
4-4	Tube Voltage Chart	4-5
4-5	DC Differential Voltmeter Calibration Set-up.	4-7
4-6	AC to DC Converter Calibration Set-up	4-8
5-1	Final Assembly.	5-3
5-2	Front Panel Assembly (sheet 1 of 2).	5-5
5-2	Front Panel Assembly (sheet 2 of 2).	5-6
5-3	Reference Board PCB Assembly.	5-8
5-4	Null Detector Chassis Assembly.	5-11
5-5	Range Resistor PCB Assembly	5-13
5-6	Kelvin-Varley Resistor PCB Assembly	5-14
5-7	AC - DC Converter.	5-18
5-7	Converter/AC Range Switch Assembly (sheet 2 of 2)	5-19



MODEL 803B and 803B/AG



MODEL 803BR and 803BR/AG

SECTION I

INTRODUCTION AND SPECIFICATIONS

1-1. INTRODUCTION

a. This instruction manual is for use with the 803B series AC/DC Differential Voltmeters. These are available in either a cabinet model or a standard 19 inch rack model, and with either a standard cell or a Zener diode as the reference element. Model designations are: 803B (cabinet model, standard cell); 803BR (rack model, standard cell); 803B/AG (cabinet model, Zener diode); and 803BR/AG (rack model, Zener diode).

b. The high accuracy, portability, and compactness of the 803B make this instrument ideal for the precise measurement of almost any AC or DC voltage. Ease of operation, inherent protection from accidental overload, and high reliability contribute to the outstanding performance that assures suitability for both production line testing and precision laboratory measurements. This instrument is capable of being used as a vacuum voltmeter, as a precision potentiometer, and as a megohmmeter for measurement of high resistance. It can also be used to measure the excursions of a voltage about some nominal value. One feature that should be emphasized is that no current is drawn from the unknown source for DC measurements when balance is attained. Thus the determination of the unknown DC potential is independent of its source resistance. The 803B is basically used for measurements of DC voltages from 0 to 500 volts and AC voltages from 0.001 to 500 volts. However, high accuracy measurements to 30,000 volts DC are possible with precision voltage dividers especially designed for use with the Fluke Model 800 Series Differential Voltmeters. As additional features, this instrument contains a polarity switch for equal convenience in measuring positive or negative DC voltages and an adjustable recorder output which makes the 803B particularly useful for monitoring the stability of almost any AC or DC voltage. Furthermore, the 803B meter has taut-band suspension which eliminates problems due to meter stickiness.

c. When used as a DC Differential Voltmeter, the 803B operates on the potentiometric principal. An unknown voltage is measured by comparing it to a known adjustable reference voltage with the aid of a null detector. An accurate standard for measurements is obtained by setting the reference supply with a standard cell for the 803B and 803BR and with a Zener power supply for the 803B/AG and 803BR/AG. The known adjustable reference voltage is provided by a 500 volt DC power supply and five Kelvin-Varley decade resistor strings that are set accurately by five voltage readout dials. In this way, the 500 volts can be precisely divided into increments as small as 10 microvolts. The unknown voltage is then simply read from the voltage dials.

When used as an AC Differential Voltmeter, the 803B operates essentially the same as for DC differential measurements. The AC input voltage is converted to a DC voltage and this DC voltage is measured by comparing it to a known adjustable reference voltage. In the highest null sensitivity range, potential differences between the unknown and the reference voltage of only 0.01 volts for DC and 0.001 volts for AC will cause full scale meter deflection.

d. The instrument is normally supplied ready for use on 115 volts. Upon request, instruments are supplied for 230 volts operation. If it becomes desirable to convert from one mode of operation to the other, refer to the instruction decal on the back of cabinet models or on the cover in rack models.

1-2. DAMAGE IN SHIPMENT

Immediately upon receipt, thoroughly inspect for any damage that may have occurred in transit. If any damage is noted, follow the instructions outlined on the warranty page at the back of this manual.

1-3. SPECIFICATIONS

<u>AS A PRECISION POTENTIOMETER</u>			
DC ACCURACY:			
±0.05% of input voltage from 0.1 to 500 VDC			
±(0.05% + 50 uv) below 0.1 VDC			
AC ACCURACY:			
Input Voltage	0.5 to 500	0.001 to 0.5	
Basic AC Accuracy from 20 cps to 10 kc	±0.2%	±(0.2% + 25 uv)	
Low Frequency AC Accuracy	from 10 cps to 20 cps	±0.5%	±(0.5% + 25 uv)
	from 5 cps to 10 cps	±3%	±(3% + 25 uv)

RANGE:

For DC Measurements

Input Voltage Range	Recommended Null Range*	Input Resistance Per volt of input voltage	
		At Null	1% of Full Scale Off Null
50-500	10-0-10	Infinite	100 Meg
	1-0-1	Infinite	1,000 Meg
5-50	1-0-1	Infinite	1,000 Meg
	0.1-0-0.1	Infinite	10,000 Meg
0.5-5	0.1-0-0.1	Infinite	10,000 Meg
	0.01-0-0.01	Infinite	10,000 Meg
0-0.5	0.1-0-0.1	Infinite	10,000 Meg
	0.01-0-0.01	Infinite	10,000 Meg

*Any null range may be used with any input voltage range; recommended ranges are those most useful.

For AC Measurements

Input Voltage Range	Recommended Null Range	Input Impedance
50-500	100-0-100	1 Meg, 35 uuf
	10-0-10	1 Meg, 35 uuf
	1-0-1	1 Meg, 35 uuf
5-50	10-0-10	1 Meg, 35 uuf
	1-0-1	1 Meg, 35 uuf
	0.1-0-0.1	1 Meg, 35 uuf
0.5-5	1-0-1	1 Meg, 50 uuf
	0.1-0-0.1	1 Meg, 50 uuf
	0.01-0-0.01	1 Meg, 50 uuf
0.001-0.5	0.1-0-0.1	1 Meg, 50 uuf
	0.01-0-0.01	1 Meg, 50 uuf
	0.001-0-0.001	1 Meg, 50 uuf

RESOLUTION:

Voltage Readout Dial Resolution

Range Setting	Null Setting	Resolution
500	any	10 mv
50	any	1 mv
5	any	0.1 mv
0.5	any	0.01 mv

Meter Resolution
(1/4 of a small scale meter division)

Polarity Setting	Range Setting	Null Setting	Resolution
DC	any	10	50 mv
DC	any	1	5 mv
DC	any	0.1	0.5 mv
DC	any	0.01	0.05 mv
AC	500	1	500 mv
AC	500	0.1	50 mv
AC	50	1	50 mv
AC	500	0.01	5 mv
AC	50	0.1	5 mv
AC	5	1	5 mv
AC	50	0.01	0.5 mv
AC	5	0.1	0.5 mv
AC	0.5	1	0.5 mv
AC	5	0.01	0.05 mv
AC	0.5	0.1	0.05 mv
AC	0.5	0.01	0.005 mv

AS A VACUUM TUBE VOLTMETER

ACCURACY: 3% on all ranges

RANGE:

	Voltage Ranges	Input Impedance
DC:	500-0-500	50 Meg
	50-0-50	50 Meg
	5-0-5	50 Meg
	0.5-0-0.5	50 Meg
	10-0-10*	10 Meg
	1-0-1*	10 Meg
	0.1-0-0.1*	10 Meg
	0.01-0-0.01*	1 Meg
	AC:	0-500
0-50		1 Meg, 35 uuf
0-5		1 Meg, 50 uuf
0-0.5		1 Meg, 50 uuf
0-100**		1 Meg, 35 uuf
0-10**		1 Meg, 35 uuf
0-1**		1 Meg, 35 uuf
0-0.1**		1 Meg, 35 uuf
0-0.01**		1 Meg, 50 uuf
0-0.001**		1 Meg, 50 uuf

*These ranges are obtained by using Null ranges with all five voltage readout dials set to 0.

**These ranges are obtained by the proper setting of the range and null switches with all five voltage readout dials set to 0.

GENERAL SPECIFICATIONS**STABILITY OF REFERENCE SUPPLY:**

$\pm 0.0025\%$ for a 10% change in line voltage.

STABILITY OF METER ZERO:

$\pm 0.5\%$ of full scale for a 10% change in line voltage.

OPERATING TEMPERATURE RANGE:

Within DC accuracy specifications from 40°F to 105°F.

Within AC accuracy specifications from 55°F to 95°F, derated at 0.005%/°F outside these limits to 35°F to 110°F.

INPUT POWER:

115/230 volts AC ($\pm 10\%$), 50-70 cps, 75 watts.

DIMENSIONS:

Cabinet Model-13" high, 9-1/2" wide, 16" deep.

Rack Model-7" high, 19" wide, 15-1/2" deep.

WEIGHT:

Cabinet Model-27-1/2 lbs.

Rack Model-25 lbs.

SECTION II

OPERATING INSTRUCTIONS

2-1. CONTROLS, TERMINALS, AND INDICATORS

The location, circuit symbol, and a functional description of external controls, terminals, and indicators on

the 803B Precision AC/DC Differential Voltmeter may be found in figure 2-1.

CONTROLS TERMINALS AND INDICATORS	LOCATION	CIRCUIT SYMBOL	FUNCTIONAL DESCRIPTION
Input terminals	Front panel	J1, J3	Provided for connecting AC or DC voltage to be measured.
Chassis ground terminal	Front panel	J2	Provided for grounding purposes. A 0.47 μ f capacitor is connected from the lower input binding post to the chassis ground post. The upper input post should never be connected to the chassis ground post. Since the instrument is equipped with a three-wire line cord with the third wire fastened to the chassis, the external circuit should be checked for conflicts in grounding before connecting lower input binding post (middle post) to the chassis post.
Power toggle switch	Front panel	S1	Applies AC line voltage to the primary circuit of the power transformer.
OPERATE-CALIBRATE switch	Front panel	S4	Remains in the OPERATE position at all times except when it is necessary to calibrate the internal 500 volt DC reference supply. When held in the CALIBRATE position, a representative sample of the reference voltage is compared to the voltage of an internal standard cell, or Zener reference diode for the /AG models, and any difference is indicated on the meter.
CALIBRATE control	Front panel	R2	Varies the output of the 500 volt DC reference supply. When the OPERATE-CALIBRATE switch is held in the CALIBRATE position, the reference supply is accurately set by adjusting the CALIBRATE control for zero meter deflection.
RANGE switch	Front panel	S2	Selects desired voltage range. Full scale voltage ranges of 500, 50, 5, and 0.5 volts are available. It also indicates the AC NULL MULT for each range position.

Figure 2-1. CONTROLS, TERMINALS, AND INDICATORS (sheet 1 of 2)

CONTROLS TERMINALS AND INDICATORS	LOCATION	CIRCUIT SYMBOL	FUNCTIONAL DESCRIPTION
NULL switch	Front panel	S3	Set to VTVM for determining the approximate value of unknown voltage prior to differential measurements. Four null switch ranges of 10, 1, 0.1, and 0.01 volts are used for differential measurements. For the DC mode, the null ranges represent full scale differences between the unknown voltage and the amount of precision internal reference voltage that is set on the voltage readout dials. For the AC mode, the <u>null range</u> used <u>times</u> the applicable <u>AC Null Multiplier</u> , indicated by the range switch, <u>represents the full scale difference</u> between the unknown voltage and the amount set on the voltage dials.
A, B, C, D, and E voltage readout dials	Front panel	S6, S7, S8, S9, S10	Provide an in-line readout of the amount of internal reference voltage necessary to null the unknown voltage.
Decimal lights	Front panel	DS1, DS2, DS3, DS4	Serve as decimal points for the voltage readout dials. A different light illuminates for each position of the RANGE switch.
AC - DC polarity switch	Front panel	S5	Selects the AC, + DC, or - DC mode of operation. With this switch in the positive position, the polarity of the upper input binding post is positive with respect to the lower input binding post (middle post).
Output terminals	Rear panel of cabinet models, front panel of rack models.	J4, J5	Provided for attaching a recorder to monitor voltage excursions.
Output level control	Rear panel of cabinet models, front panel of rack models.	R1	Varies the output level of the output binding post from 0 to approximately 20 millivolts full scale deflection.
Meter	Front panel	M1	Indicates approximate voltage when 803B is in VTVM mode and difference between unknown and internal reference voltage when 803B is in differential mode. The upper scale, 500-0-500, is used when the NULL switch is set to VTVM. At all other times, the lower scale, 1-0-1, is used.
Mechanical zero control	Meter case	None	Sets meter to zero mechanically. This adjustment should be used only after instrument has been turned off for at least three minutes or when the internal meter terminals have been shorted.
Fuse	Rear panel of cabinet models, front panel of rack models.	F1	Fuse holder protrudes from instrument to provide easy access to the fuse. The fuse is a 1.5 ampere slow blowing type for 115 volt operation and a 0.75 ampere slow blowing type for 230 volt operation.

Figure 2-1. CONTROLS, TERMINALS, AND INDICATORS (sheet 2 of 2)

2-2. ZEROING INSTRUCTIONS

From time to time, it may be necessary to adjust the internal meter zero control. This will normally be done at somewhat more frequent intervals than complete instrument calibration. Proceed as follows:

- a. Mechanically zero the meter with the adjustment screw on the front of the meter case. If the instrument is in the case, it must be shut off for at least three minutes prior to this adjustment. If out of case, another method would be to short out the internal meter terminals prior to zeroing.
- b. Set power switch to ON and allow a 20 minute warm-up period.
- c. Set RANGE switch to 5 or 0.5 volts, voltage readout dials to zero, and NULL switch to 0.01 volt.
- d. Adjust R227, null detector ZERO ADJ, for zero meter deflection. This control may be reached through the ventilation holes in the cabinet model (see figure 4-3). In the rack model, an identified access hole is provided on the rear panel.

2-3. PRELIMINARY OPERATION

The following procedure prepares the voltmeter for operation:

- a. Connect power plug to a 115 volt AC power source. If instrument has been wired for 230 volt operation, connect to 230 volts AC.

NOTE

The round pin on polarized three-prong plug connects instrument case to power system ground. Use three-to-two pin adapter supplied with instrument when connecting to a two-contact receptacle. For personnel safety, connect short lead to a suitable ground.

- b. Set controls on 803B voltmeter as follows:

RANGE	500 volts
NULL	VTVM
AC-DC polarity	+ (positive)
all voltage readout dials	0 (zero)
power	ON

- c. After a warmup period of at least ten minutes, advance OPERATE-CALIBRATE switch against spring tension to CALIBRATE, and adjust internal 500 volt DC reference supply with CALIBRATE control for zero meter deflection. Release OPERATE-CALIBRATE switch.

2-4. OPERATION AS A DC DIFFERENTIAL VOLT-METER

- a. After completing preliminary operation, connect unknown voltage to input binding posts. If one side is grounded, always connect it to the lower input post (middle post).

- b. Turn RANGE switch to lowest range that will allow an on-scale reading and note approximate value of unknown voltage as indicated on upper meter scale.

- c. If meter reads to the left, turn AC - DC polarity switch to the negative position. The meter needle will deflect to the right. This is because polarity of unknown voltage is negative.

- d. Noting the position of illuminated decimal light, set five voltage readout dials to approximate voltage determined in step b. For example, if approximate voltage is 35 volts, the decimal light between the B and C voltage readout dials will be illuminated. Therefore, set A dial to 3, B dial to 5, and C, D, and E dials to 0.

- e. Set NULL switch to successively more sensitive null ranges, as indicated in figure 2-2, and adjust voltage readout dials for zero meter deflection in each null position. When the meter needle indicates to the right, the voltage under measurement is greater than the voltage set on the voltage readout dials. When the indication is to the left, the voltage is less than that set on the readout dials.

INPUT VOLTAGE RANGE	*RECOMMENDED NULL SETTING
50-500	10 then 1 (then 0.1 for voltages from 50 to 100 volts)
5-50	1 then 0.1 (then 0.01 for voltages from 5 to 10 volts)
0.5-5	0.1 then 0.01
0-0.5	0.1 then 0.01

*Any null range may be used with any input voltage range; recommended settings are those most useful.

Figure 2-2. RECOMMENDED NULL SETTINGS

- f. Read unknown voltage directly from the five voltage readout dials.

2-5. OPERATION AS AN AC DIFFERENTIAL VOLT-METER

- a. After completing preliminary operation, set AC-DC polarity switch to AC.

- b. Connect unknown AC voltage to input binding posts.

- c. Turn RANGE switch to lowest range that will allow an on-scale reading and note approximate value of unknown voltage as indicated on upper meter scale.

- d. Noting the position of illuminated decimal light, set five voltage dials to approximate voltage determined in step c. For example, if approximate voltage is 35 volts, the decimal light between the B and C voltage dials

will be illuminated. Therefore, set A dial to 3, B dial to 5, and C, D, and E dials to 0.

e. Set null switch to 0.1 and then 0.01 volt, adjusting voltage dials for zero meter deflection in each position.

f. Read unknown voltage from the five voltage readout dials.

2-6. OPERATION AS A CONVENTIONAL VTVM

If it is desired to use the instrument as a VTVM only, additional ranges can be made available by converting the NULL ranges to VTVM ranges. This is made possible by setting the voltage readout dials to zero. Proceed as follows:

a. Perform preliminary operation procedures as stated in paragraph 2-3.

b. Consult figure 2-3, and select full scale voltage deflection desired. If the approximate value of the voltage to be measured is unknown, select the 500 volt range initially.

c. Set AC-DC polarity switch, RANGE switch, NULL switch, and voltage dials as indicated for the range selected.

d. Connect voltage to be measured to input binding posts. Deflection to the right indicates that an unknown DC voltage is of positive polarity. An unknown AC voltage will always cause deflection to the right.

e. Read voltage from upper or lower scale as listed in figure 2-3.

Full-Scale Deflection	AC-DC Polarity Switch	Range Switch	Null Switch	Voltage Readout Dials	Meter Scale
DC:					
500-0-500	DC	500	VTVM	No effect	Upper
50-0-50	DC	50	VTVM	No effect	Upper
5-0-5	DC	5	VTVM	No effect	Upper
0.5-0-0.5	DC	0.5	VTVM	No effect	Upper
10-0-10	DC	No effect	10	All zero	Lower
1-0-1	DC	No effect	1	All zero	Lower
0.1-0-0.1	DC	No effect	0.1	All zero	Lower
0.01-0-0.01	DC	No effect	0.01	All zero	Lower
AC:					
0-500	AC	500	VTVM	No effect	Upper
0-50	AC	50	VTVM	No effect	Upper
0-5	AC	5	VTVM	No effect	Upper
0-0.5	AC	0.5	VTVM	No effect	Upper
0-100	AC	500	1	All zero	Lower
0-10	AC	500	0.1	All zero	Lower
		50	1		
0-1	AC	500	0.01	All zero	Lower
		50	0.1		
		5	1		
0-0.1	AC	50	0.01	All zero	Lower
		5	0.1		
		0.5	1		
0-0.01	AC	5	0.01	All zero	Lower
		0.5	0.1		
0-0.001	AC	0.5	0.01	All zero	Lower

Figure 2-3. VTVM RANGES

2-7. MEASUREMENT OF VOLTAGE EXCURSIONS ABOUT A NOMINAL VALUE

a. After completing preliminary operation as stated in paragraph 2-3, set AC-DC polarity switch to desired position.

b. Connect voltage to be observed to input binding posts. If meter reads to the left, the voltage being measured is negative DC; set polarity switch to the negative position in this case. This will cause meter pointer to deflect to the right.

c. Set RANGE switch to lowest range which will give an on-scale meter indication and note nominal value of

voltage indicated.

d. Set the five voltage readout dials to nominal voltage.

e. Turn NULL switch to lowest position that will allow voltage excursions to remain on scale.

f. Read voltage excursions from meter. Note that full scale right and left meter deflections are equal to the NULL voltage setting for DC measurements. For AC measurements, full scale right and left meter deflections are equal to the NULL voltage setting multiplied by the AC NULL MULT indicated by the RANGE setting. Figure 2-4 shows full scale AC deflections for the recommended settings of the range and null switches.

Range Switch Setting	Null Switch Setting	AC Null Multiplier	Full Scale AC Deflection (in volts)
500	1 0.1 0.01	X100	100 10 1
50	1 0.1 0.01	X10	10 1 0.1
5	1 0.1 0.01	X1	1 0.1 0.01
0.5	1 0.1 0.01	X0.1	0.1 0.01 0.001

Figure 2-4. FULL SCALE AC DEFLECTIONS

2-8. USE OF 803B WITH A RECORDER

Recorder output binding posts and an output level control are provided on the 803B for monitoring the excursions of an unknown voltage from the voltage indicated by the voltage dial settings. If the leakage resistance between the recorder and ground is less than 10,000 megohms, the accuracy of the 803B will be impaired. Also, both input posts of the recorder should be able to stand 500 volts DC to ground. Therefore, the John Fluke Model A-70 Potentiometric Recorder (manufactured by the Texas Instrument Co.) is recommended for this application. Set up the recorder as follows:

a. Connect A-70 recorder to 803B voltmeter with teflon leads as shown in figure 2-5.

CAUTION

Do not ground either of the 803B output terminals or either of the A-70 input terminals.

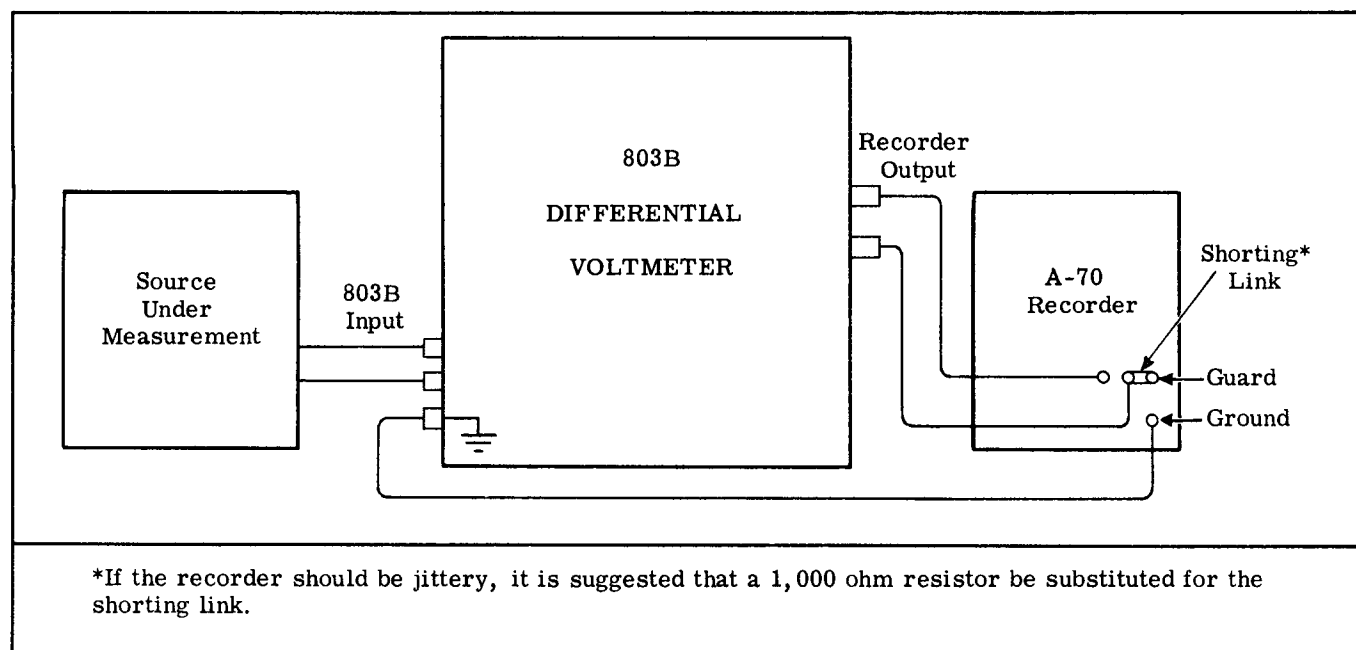


Figure 2-5. RECORDER RECOMMENDED CONNECTION DIAGRAM

If any of these terminals are grounded, current will be drawn from the 803B Kelvin-Varley voltage divider and the accuracy of the 803B will be completely destroyed.

b. After connecting the recorder, perform preliminary operation as stated in paragraph 2-3.

c. Check for excessive leakage as follows:

(1) Connect a dc voltage to the input of the 803B and differentially measure its potential in a recommended null range.

(2) Alternately connect and disconnect the recorder leads from the output terminals of the 803B while noting the meter needle deflection. More than one-quarter of a small scale division deflection indicates that excessive leakage has been introduced by the recorder. This will impair the accuracy of the 803B voltmeter.

(3) Disconnect the voltage.

d. After the leakage test has been successfully completed, short the input terminals of the 803B.

e. Set switches on the 803B voltmeter as follows:

AC-DC polarity	+ (positive)
RANGE	50
NULL	10
voltage read-out dials	10.000

The 803B meter will indicate full scale deflection. This provides up to a maximum of approximately 20 millivolts at the output terminals depending on the setting of the output level control.

f. Turn the output level control until the recorder deflection obtained is that desired to correspond to full scale deflection of the 803B.

g. Remove the short from the input terminals of the 803B. The 803B and the recorder are now ready for combined use. Proceed as instructed under paragraph 2-7.

2-9. MEASUREMENT OF HIGH RESISTANCES

One of the important features of the 803B voltmeter is its ability to be used as a megohmmeter for rapidly measuring high resistances from 1 megohm to 250,000 megohms. The following equation may be used to compute the resistance in megohms of an unknown connected to the input binding posts:

$$R_x = 10 \left(\frac{E}{E_m} - 1 \right) \text{ megohms,}$$

where:

R_x = unknown resistance in megohms

E = voltage indicated by voltage readout dials

E_m = voltage indicated on meter

10 = megohms of input resistance of VTVM circuit on 10, 1, and 0.1 null range.

When connecting the unknown resistance to the input terminals, use short isolated leads to prevent measuring leakage resistance between the leads:

a. FROM 1 MEGOHM TO 500 MEGOHMS. For rapid measurement of resistances from 1 megohm to 500 megohms, proceed as follows:

(1) Perform preliminary procedure as stated in paragraph 2-3.

(2) Set RANGE switch to 500 and NULL switch to 10.

(3) Connect unknown resistance between input terminals.

(4) Adjust voltage readout dials for full scale meter deflection.

(5) Subtract 10.00 from the amount set on the voltage readout dials to find the resistance of the unknown in megohms.

b. FROM 500 MEGOHMS TO 5000 MEGOHMS. For rapid measurement of resistances from 500 to 5000 megohms, proceed as follows:

(1) Perform preliminary procedure as stated in paragraph 2-3.

(2) Set RANGE switch to 500 and NULL switch to 1.

(3) Connect unknown resistance between input terminals.

(4) Adjust voltage readout dials for full scale meter deflection.

(5) Subtract 1.00 from the amount set on the voltage readout dials and multiply the result by 10 to find the resistance of the unknown in megohms.

c. FROM 5,000 MEGOHMS TO 50,000 MEGOHMS. For rapid measurement of resistances from 5,000 to 50,000 megohms, proceed as follows:

(1) Perform preliminary procedure as stated in paragraph 2-3.

(2) Set RANGE switch to 500 and NULL switch to 0.1.

(3) Connect unknown resistance between input terminals.

(4) Adjust voltage readout dials for full scale meter deflection.

(5) Multiply the amount set on the voltage readout dials by 100 to find the resistance of the unknown in megohms.

d. FROM 50,000 MEGOHMS TO 250,000 MEGOHMS. To determine the value of an unknown resistance between 50,000 megohms and 250,000 megohms, proceed as follows:

(1) Perform preliminary procedure as stated in paragraph 2-3.

(2) Set RANGE switch to 500 and NULL switch to 0.1.

(3) Connect unknown resistance between input terminals.

(4) Adjust voltage readout dials for a convenient meter deflection.

(5) The resistance in megohms may be calculated by substituting the meter reading in volts (E_m , 0 to 0.1 volt on bottom scale) and the voltage readout dial setting (E) into the following equation:

$$R_x = 10 \frac{E}{E_m} \text{ megohms}$$

2-10. NOTES ON MEASURING AC OR DC VOLTAGES

a. ADJUSTMENT OF 500 VOLT REFERENCE SUPPLY.

The 500 volt DC reference supply may be adjusted (paragraph 2-3, step c) at any time deemed necessary without heed to the position of the switches and without removing any input or output connections. However, until the instrument has warmed up to an equilibrium temperature (about 1/2 hour), it should be adjusted prior to each specific measurement for best accuracy. When making prolonged measurements, allow one hour warm-up time to insure that 500 volt reference supply does not shift during the final warmup phase.

b. GROUND LOOP PRECAUTIONS. Ground loop currents should be avoided to assure accuracy when making measurements. Potential differences are often found at different points on power system grounds. When this is the case, current may flow from the power system ground through the 803B and the equipment under measurement and back to the power system ground. To avoid this when system being measured is grounded, do not connect input binding posts to chassis ground post.

2-11. NOTES ON MEASURING DC VOLTAGES

a. RECOMMENDED NULL RANGES FOR DC MEASUREMENTS. Certain null ranges are recommended for use with each setting of the RANGE switch for the following reasons. With the RANGE switch at 500 volts, the last voltage readout dial (E) changes the reference voltage in steps of 0.01 volt. Therefore, the unknown

voltage would have to be an exact multiple of 0.01 volt if a null is to be obtained on the 0.1 or 0.01 volt NULL range. Furthermore, it is unlikely that an unknown voltage of a few hundred volts will be stable within 10 millivolts. Finally, the regulation of the reference supply is approximately 0.005% or 0.025 volt for a 10% change in line voltage. Although this is more than adequate when the instrument is used in the recommended way, a badly fluctuating line voltage may cause the 803B to meter the regulation of its own 500 volt reference supply. For example, when measuring 500 volts a line change of 10% may cause the 500 volt reference supply to change as much as 12.5 mv. Although this is small, the 803B will indicate full scale for a change as little as 100 mv or 10 mv if attempting to use the 0.1 or 0.01 null ranges.

b. EFFECT OF AC COMPONENTS ON DC MEASUREMENTS. An AC component of several times the unknown DC may be present on the unknown and the 803B will always indicate well within the specifications for frequencies over a few hundred cycles. An AC component may have an adverse effect if it is of a low frequency or if it has a frequency that is a multiple or submultiple of the chopper frequency. A double section low pass filter (R201, C201, R202, and C202) is used at the input of the null detector to reduce any AC present on the DC being measured. At lower frequencies, this low pass filter is less effective and the magnitude of the AC component is more significant. When the frequency is very close to a multiple or submultiple of the chopper frequency (approximately 60 cycles), the meter needle will oscillate at the difference frequency. For example, a 60 cycle AC voltage that is 5% of the input voltage will cause an error of approximately 0.01% which is well within the specifications. At low frequencies other than 60 cycles, a larger AC component can be tolerated. Also, since the input attenuation is less for the more sensitive null settings, the accuracy may be affected only on the more sensitive null settings. If AC components that affect the accuracy are ever encountered, additional filtering will be required. For an AC of a single frequency, a twin-T filter is effective and has the advantage of low total series resistance. For an AC variable frequency, an ordinary low pass filter may be used. In either case, high quality capacitors of high leakage resistance should be used.

c. MEASUREMENT OF NEGATIVE DC VOLTAGES. Because of a polarity switch, voltages which are negative with respect to ground as well as the more commonly encountered positive voltages may be measured with equal facility. If the upper input post is connected to the metal case or line ground, either at the 803B or at the source under measurement, the accuracy of the voltmeter may be reduced. However, with the polarity switch, the upper input post never has to be connected to ground. If the unknown voltage is grounded, always connect the grounded side to the lower input post (middle post) and use the polarity switch to obtain the proper result.

2-12. NOTES ON MEASURING AC VOLTAGES

a. ERRORS DUE TO DISTORTION. The AC to DC converter in the 803B is an average measuring device calibrated in RMS. The converter will put out a DC voltage that is proportional to 1.11 times the average value of the AC input voltage. Thus, if the input signal is not a true sinusoid, the 803B reading is probably in error because the ratio of RMS to average is usually not the same in a complex wave as in a sine wave. The magnitude of the error is dependent on magnitude of the distortion and on its phase and harmonic relationship with respect to the fundamental. Figure 2-6 indicates how the accuracy will be affected by various harmonics for different percentages of distortion. If the distortion present in the signal is composed of even harmonics and is less than 2%, the error between the 803B reading and true RMS is fairly minor. A larger error can occur if the distortion is composed of odd harmonics, especially the third harmonic. Note that for 2% of third harmonic distortion the error in the reading could range from 0 to 0.687%.

Harmonic	% Distortion	% Error From True RMS*	
		Maximum Positive	Maximum Negative
Any even harmonic	0.1	0.000	0.000
	0.5	0.000	0.0001
	1.0	0.000	0.005
	2.0	0.000	0.020
Third harmonic	0.1	0.033	0.033
	0.5	0.167	0.168
	1.0	0.328	0.338
	2.0	0.667	0.687
Fifth harmonic	0.1	0.020	0.020
	0.5	0.099	0.101
	1.0	0.195	0.205
	2.0	0.380	0.420

*Error depends upon phase relationship between harmonic and fundamental, i. e. error can be any value between maximum positive and maximum negative, including zero.

Figure 2-6. PERCENT ERROR DUE TO HARMONIC DISTORTION

b. **ERRORS DUE TO GROUNDING.** In the 803B there is a 0.47 uf capacitor connected from the lower input terminal (middle post) to chassis ground. If it is desired to make measurements where the voltage to be connected to the lower input terminal is not at ground potential, a line cord adapter must be used to isolate the 803B chassis from line ground. Otherwise, the 0.47 uf capacitor would place an AC load on the circuit being measured.

c. **INTERNAL CONVERTER NOISE.** When the instrument is shorted in the AC mode, the converter may produce a residual noise output of approximately 100 uv. This noise voltage will cause an insignificant error as long as AC input signals of 1 mv or larger are applied to the instrument. Figure 2-7 shows a typical half wave of the signal voltage at the output of the converter amplifier. It is easily seen that the noise contributes very little to the average value of the signal and is well within the 2.7% accuracy of the instrument at 1 mv.

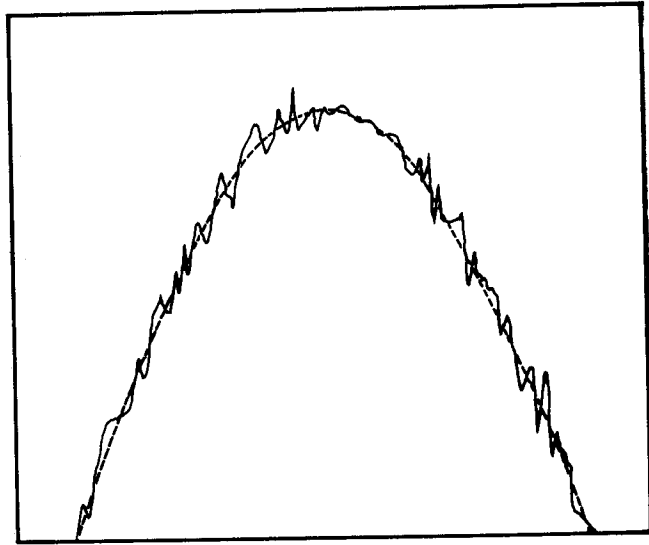


Figure 2-7. SIGNAL VOLTAGE WITH CONVERTER NOISE

SECTION III

THEORY OF OPERATION

3-1. GENERAL

a. Figure 3-1 shows the block diagram for the 803B AC/DC Differential Voltmeter. As seen in this figure, the circuit is mainly composed of an AC attenuator, an AC to DC converter, a DC attenuator, a null detector, a Kelvin-Varley divider, a range divider, a 500 volt DC reference power supply, and a null detector power supply. Refer to the functional schematic following Section VI for more detail. This schematic is designed to aid in the understanding of circuit theory and troubleshooting. The signal flow is from left to right and the components are laid out in a functionally logical manner.

b. The overall operation of the voltmeter may be summarized as follows. The combination of the DC attenuator and the null detector form a very sensitive wide range DC VTVM. A DC differential voltmeter is created by connecting this DC VTVM in series with a precise internal DC voltage appearing across the Kelvin-Varley voltage divider. For AC measurements, the AC attenuator and the AC to DC converter unite to produce a DC voltage that is proportional to the AC input voltage. This DC voltage is then applied to the DC VTVM or the DC differential voltmeter.

c. To measure the approximate value of a DC voltage, the unknown voltage is connected to the DC VTVM.

The DC attenuator reduces the maximum voltage for each range to a signal of 10 millivolts. This 10 mv signal is applied to the null detector and causes 100 microamperes to flow through the meter for full scale deflection. To accurately measure a DC voltage, the unknown voltage is connected to the DC differential voltmeter. The internal voltage is then adjusted by means of the Kelvin-Varley voltage divider until it matches the unknown voltage as indicated by the null detector.

d. All DC measurements are made by first converting the AC input voltage to a DC voltage. The AC to DC converter provides an output of 5 volts DC when the maximum voltage for each range is applied to the 803B. To measure the approximate value of an AC voltage, the output of the converter is connected directly to the DC VTVM. In this case, the DC attenuator always gives a reduction of 500 to 1. Thus 10 mv is supplied to the null detector for full scale deflection when the maximum voltage for each range is applied to the 803B. To accurately measure an AC voltage, the output of the converter is connected to the DC differential voltmeter which operates essentially the same as for DC measurements.

e. In order to provide for a more complete understanding of the 803B voltmeter, the following paragraphs describe each section of the circuit in detail.

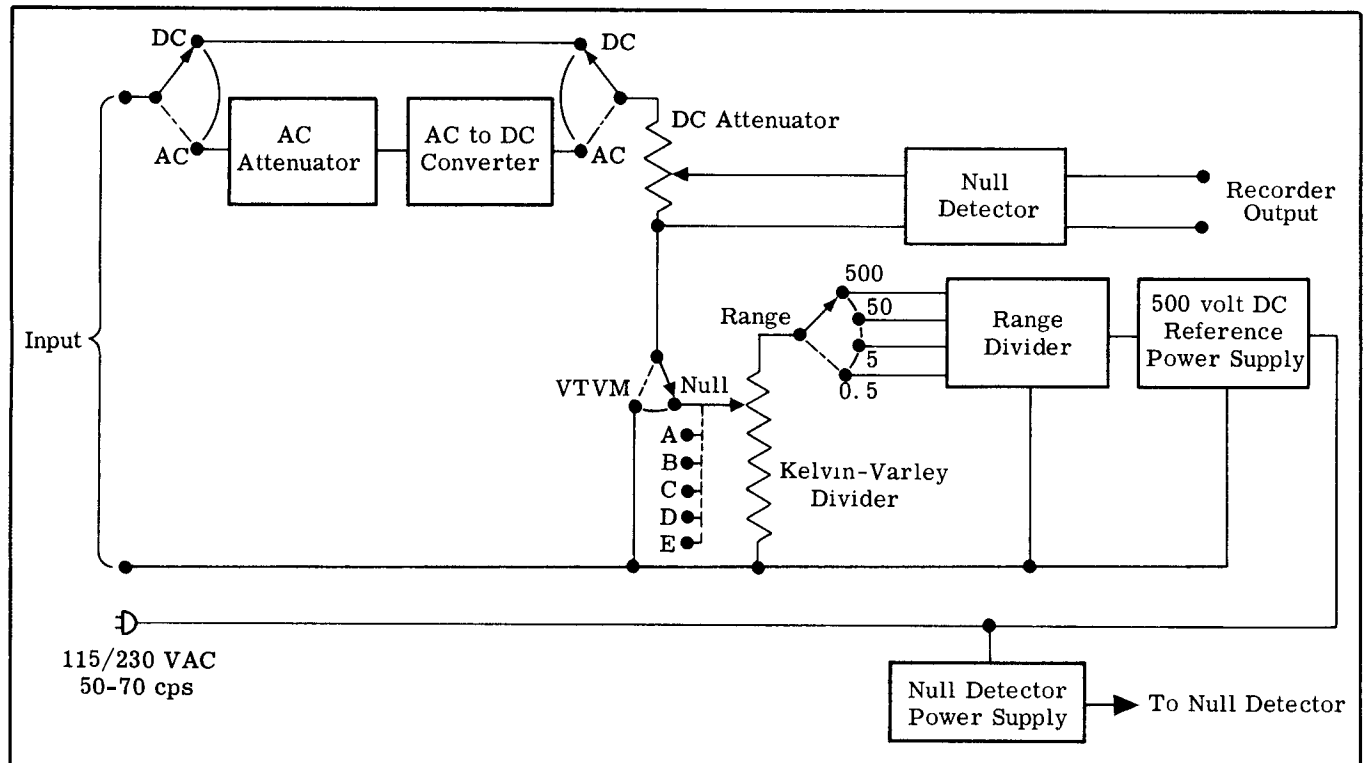


Figure 3-1. 803B AC/DC DIFFERENTIAL VOLTMETER BLOCK DIAGRAM

3-2. DC ATTENUATOR

a. In the DC VTVM mode, the resistance of the DC attenuator and thus the input resistance of the voltmeter is 50 megohms (R301 through R310) For full scale deflection 10 mv must be applied to the null detector. The necessary reduction is provided by four positions on the DC attenuator that are selected by range switch section S2C.

b. In the DC differential mode, the resistance of the DC attenuator is 10 megohms (R305 through R310) for the 10, 1, and 0.1 null ranges and 1 megohm (R306 through R310) for the 0.01 volt null range. However, this is not the input resistance of the voltmeter. The input resistance is determined by dividing the terminal voltage of the unknown by the amount of current drawn from the unknown. The current drawn from the unknown is equal to the difference between the unknown terminal voltage and the internally known voltage divided by the resistance of the DC attenuator. The equation for input resistance can hence be written as:

$$R_{in} = \frac{E_u}{I_u} = \frac{E_u R_a}{|E_u - E|} = \frac{E_S (R_a + R_S)}{|E_S - E|} - R_S$$

where:

R_{in}	=	input resistance of voltmeter
E_u	=	$E_S - I_u R_S$ = terminal voltage of unknown
I_u	=	current drawn from unknown
E_S	=	source voltage of unknown
R_S	=	source resistance of unknown
R_a	=	resistance of DC attenuator
E	=	voltage indicated by voltage readout dials
$ \quad $	=	absolute value (magnitude only)

Thus, the input resistance is infinite at null when E is equal to E_u and E_S .

c. For full scale deflection of 10, 1, and 0.1 volts, the voltage difference (unknown voltage minus reference voltage) must be reduced by an attenuator. This reduction is provided by three positions on the DC attenuator that are selected by null switch section S3A. On the 0.01 volt null range, the voltage across the DC attenuator is fed directly to the null detector.

d. In the AC VTVM mode, null switch section S3A and AC-DC polarity switch section S5L provide connection to one position on the DC attenuator regardless of where the range switch is set. The converter output is thus reduced by a factor of 500 to 1. For full range input on each range, the 5 volt DC output of the converter is therefore reduced to the 10 mv required by the null detector for full scale deflection.

e. In the AC differential mode, the voltage difference (converter output voltage minus reference voltage) must be reduced by the DC attenuator before it is applied to the null detector. This reduction is provided by the same positions on the DC attenuator as for DC differential measurements.

3-3. NULL DETECTOR

a. GENERAL. The null detector is a fixed gain device containing three resistance-capacitance coupled voltage amplifier stages with a high amount of negative current feedback. With high negative current feedback, the output current is approximately equal to the signal voltage divided by the impedance of the feedback network regardless of the amplifier characteristics. The high negative feedback also makes the amplifier relatively insensitive to the gain changes in individual tubes due to aging and replacement. The output current from the null detector is indicated on a meter that has taut-band suspension. This suspension does away with all friction associated with meter pivot stickiness. Thus, any tendency for the meter pointer to stick at one point of the scale and then jump to another point is completely eliminated.

b. OPERATION. At the input to the null detector R201, C201, R202, and C202 form a double section low pass filter that reduces any AC component present on the DC voltage being measured. The difference between the voltage appearing at the output of the filter and the voltage developed across the feedback network is converted to an alternating voltage by G1, a 60 cycle chopper. This chopped voltage is amplified by V202, V203A, and V203B. During half the chopper cycle the output of the amplifier is clamped to approximate null detector common potential by G1 while during the other half the output is filtered by C212 to provide a DC current for the meter. When the chopper provides connection between contacts 1 and 7 a voltage is developed across feedback network R218 and R219 that is proportional to the meter (output) current. This feedback voltage effectively reduces the magnitude of the voltage that is chopped and applied to the input of the amplifier. The impedance of the feedback network (R218 and R219) is adjustable between 93.1 and 103.1 ohms. Since the output current is approximately equal to the signal voltage divided by the impedance of the feedback network, a 10 mv signal voltage indicates an output current of 97.8 to 107.4 ua. However, there is a loss due to finite amplifier gain and filtering that leaves the output current around 100 ua which can be set accurately by means of the feedback network. Thus, current feedback makes the output current essentially proportional to the signal voltage. For full scale deflection, a 10 mv signal voltage will cause 100 ua to flow through the meter.

c. EFFECT OF AC COMPONENTS. The only AC voltage component that will reduce the accuracy of the 803B is one that either saturates the chopper-amplifier or one that beats with the chopper frequency. Since the voltage required for saturation is greater than that required for beating, the null detector is most sensitive to an AC component with a frequency that is submultiple or a low multiple of the chopper frequency. However, this is easy to detect because the meter will beat at the difference frequency. The low pass filter at the input of the chopper-amplifier will attenuate any AC component.

The magnitude of the AC voltage appearing at the output of the filter depends on both its amplitude and frequency before filtering. For all practical purposes, one should never encounter any trouble above a few hundred cycles. Below this, the filter may not attenuate the AC component enough. However, this is not as bad as it appears. A 60 cycle AC voltage that is 5% of the input voltage will cause an error of approximately 0.01% which is well within specifications. If AC components that affect accuracy are ever encountered, additional filtering as set forth in paragraph 2-11 will eliminate the problem.

d. **GAIN AND ZERO ADJUSTMENTS.** Variable resistor R227 in the null detector power supply provides a means of adjusting the output current of the amplifier to zero when there is no input signal. The gain of the amplifier is adjusted by means of R219 in the feedback circuit.

e. **RECORDER OUTPUT.** The recorder output is picked off divider string R222, R1, and R223. Output level control R1 provides a means of adjusting the output voltage up to a maximum of approximately 20 millivolts at full scale deflection. The voltage at the output terminals is proportional to the meter reading.

3-4. 500 VDC REFERENCE POWER SUPPLY

a. When the 803B is used for AC or DC differential voltage measurements, an internal DC voltage is nulled or matched against the unknown voltage. An extremely accurate reference voltage is therefore required. This is obtained from the 500 volt DC reference supply.

b. A half wave rectifier system consisting of three diodes (CR101, CR102, and CR103) and a filter network (R109, R110, C101, and C102) supply unregulated DC voltage to series passing tube V101. The voltage is regulated by comparing the voltage from reference tube V102 with a voltage tapped off a divider string (R123, R124, R121, and R2) in a differential amplifier V104. The output of differential amplifier V104 is fed to differential amplifier V105 which drives the grid of series passing tube V101. In this way the voltage drop across the passing tube is controlled such that the reference supply is maintained at 500 volts.

c. The reference voltage is passed to the Kelvin-Varley divider as follows for positive and negative DC settings of the AC - DC polarity switch. With the range switch set to 500, range switch sections S2B and S2F connect 500 volts to the Kelvin-Varley divider. In the 50, 5, and 0.5 volt positions, range resistors controlled by S2E divide the reference voltage to 50, 5, and 0.5 volts. These voltages are switched to the Kelvin-Varley divider by S2F. When the AC-DC polarity switch is set to AC, section S5G provides connection to only the range resistors that divide the reference to 5 volts. This 5 volts is then passed to the Kelvin-Varley divider by section S5H. The voltage applied to the Kelvin-Varley divider is always 5 volts for AC because the AC to DC converter always supplies up to a maximum of 5 volts to the DC attenuator. The 50, 5, and 0.5 volt range resistor networks are set accurately during calibration by means of R323, R326, and R329.

d. Variable resistor R121 is used during calibration to set the reference supply to 500 volts with calibrate control R2 set at its center of rotation. This allows the reference supply to be adjusted to 500 volts by means of the calibrate control at any time deemed necessary. With the operate-calibrate switch held at calibrate, a fixed percentage of the reference supply is compared to the precise potential of an internal standard cell or a Zener reference diode (in the /AG models). Any difference in potential is fed to the null detector so that the reference supply can be set with the calibrate control. The fixed percentage of the reference supply is set accurately during calibration by means of R318.

e. For proper operation a highly stable and accurate balance of amplification must be maintained between the two halves of differential amplifier V104. The filament supply for V104 must be regulated to maintain this balance. Regulation is provided by a transistor regulator which supplies constant voltage to the filament of V104. The filaments of the AC to DC converter tubes (V501 and V502) are also supplied by this regulator. A filtered full wave rectifier (CR104, CR105, and C103) which is regulated by a three transistor network (Q1, Q2, and Q3) supplies the regulated DC filament voltage. One side of the filaments are connected to the reference supply common (0 volts) while the other side is maintained at approximately 5.9 volts through the emitter-collector junction of Q3. The output of Q1 drives a Darlington connections of Q2 and Q3. Any variation in the unregulated supply causes a corresponding change in the voltage across the emitter-collector junction of Q3 so that the filament voltage of V104, V501, and V502 remains stable.

3-5. KELVIN-VARLEY DIVIDER

a. In order to null unknown voltages, each one of the four precision voltages available from the reference supply must be made adjustable. The five Kelvin-Varley decade resistor strings, R401 through R449 accomplish this function.

b. Note that each string, with the exception of the first, parallels two resistors of the string that precedes it. Between the two wipers of S6 (voltage dial A) then, there is a total resistance of 40K (80K paralleled by 80K). With the RANGE switch in the 500 volt position, a total voltage of 100 volts DC will appear across these two wipers. Also, there will be 10, 1, and 0.1 volts DC across the wipers of S7, S8, and S9 respectively. Voltage dial E (S10) picks increments of 0.01 volts DC from the last decade. These voltages are reduced by a factor of 10 for each lower voltage range.

c. All the resistors of each decade are matched and all decades are matched for each instrument, providing an overall divider accuracy of 0.01% absolute.

d. With the NULL switch in any null range, the output of the Kelvin-Varley divider is connected in series with the DC attenuator as seen from the DC terminals. Also, the null detector operates with a common that is above or below (depending on the setting of the polarity switch) the potential of the lower input binding post by the amount set on the voltage readout dials.

3-6. AC TO DC CONVERTER

a. GENERAL. The AC to DC converter is essentially an operational amplifier containing three resistance-capacitance coupled amplifier stages with high negative feedback. The amplifier achieves a midband loop gain of approximately 70 db with a virtually flat frequency response from 20 cps to 10 kc. The high negative feedback makes the amplifier practically noise free and relatively insensitive to gain changes in individual tubes due to aging and tube replacement. At the output of the amplifier, full-wave rectification is used to return negative feedback to the grid of the first amplifier tube. Halfwave rectification and filtering is utilized to produce a DC voltage that is proportional to the average value of the AC input voltage. The output, however, is calibrated to indicate the rms value of a pure sine wave.

b. OPERATION. All AC measurements are made by first converting the AC input voltage to a DC voltage. The converter provides a DC output of 5 volts when full range voltage is applied to the 803B in each range. In the 5 volt AC position, range switch sections S2G and S2H connect the input binding posts directly to the converter input. In this case, the converter feedback is of such a value that the DC output voltage is equal to the rms value of the converter input AC voltage. In the 50 and 500 volt AC positions, input attenuators reduce the unknown AC by a factor of 10 and 100 respectively. This provides a maximum of 5 volts AC input to the converter for full range input to the 803B. In the 0.5 volt AC position, range switch section S2 connects to feedback resistors that allow the converter to produce a DC output that is equal to ten times the AC input. Thus, an output of 5 volts DC is provided for a full range input of 0.5 volts AC.

c. NULL INDICATIONS. When making AC differential measurements, the null range used times the applicable AC null multiplier must be used to represent full scale on the 803B meter. This is due to the way that the converter is constructed. When the range switch is set to 500, the AC attenuator reduces the input voltage by 100 to 1 before it is converted to DC and applied to the DC attenuator. Thus, the AC null multiplier for the 500 volt range position is X100. For example, when the range switch is set to 500 and the null switch is set to 0.01, full scale meter deflection represents a one volt (100×0.01) difference between the unknown voltage and the amount set on the voltage readout dials. By similar reasoning, the multiplier for the 50 and 5 volt positions are 10 and 1 respectively. When the range switch is set to the 0.5 volt position, the converter amplifies the input voltage by ten before it is converted to DC and applied to the input attenuator. Thus, the AC null multiplier for the 0.5 volt position is X0.1.

d. ADJUSTMENTS. For 0.5 volt converter gain, R536 at the output of the converter is adjusted. The gain of the amplifier for the 500, 50, and 5 volt ranges is adjusted by means of R541 in the feedback network. The high frequency response of the amplifier input is adjusted by means of C504 while C519 adjusts the high frequency response of the 0.5 volt feedback circuit. The attenuation of the 500 volt attenuator is adjusted with R534 and the attenuator high frequency response is adjusted with C523. The attenuation of the 50 volt attenuator is adjusted with R503 and the attenuator high frequency response is adjusted with C501.

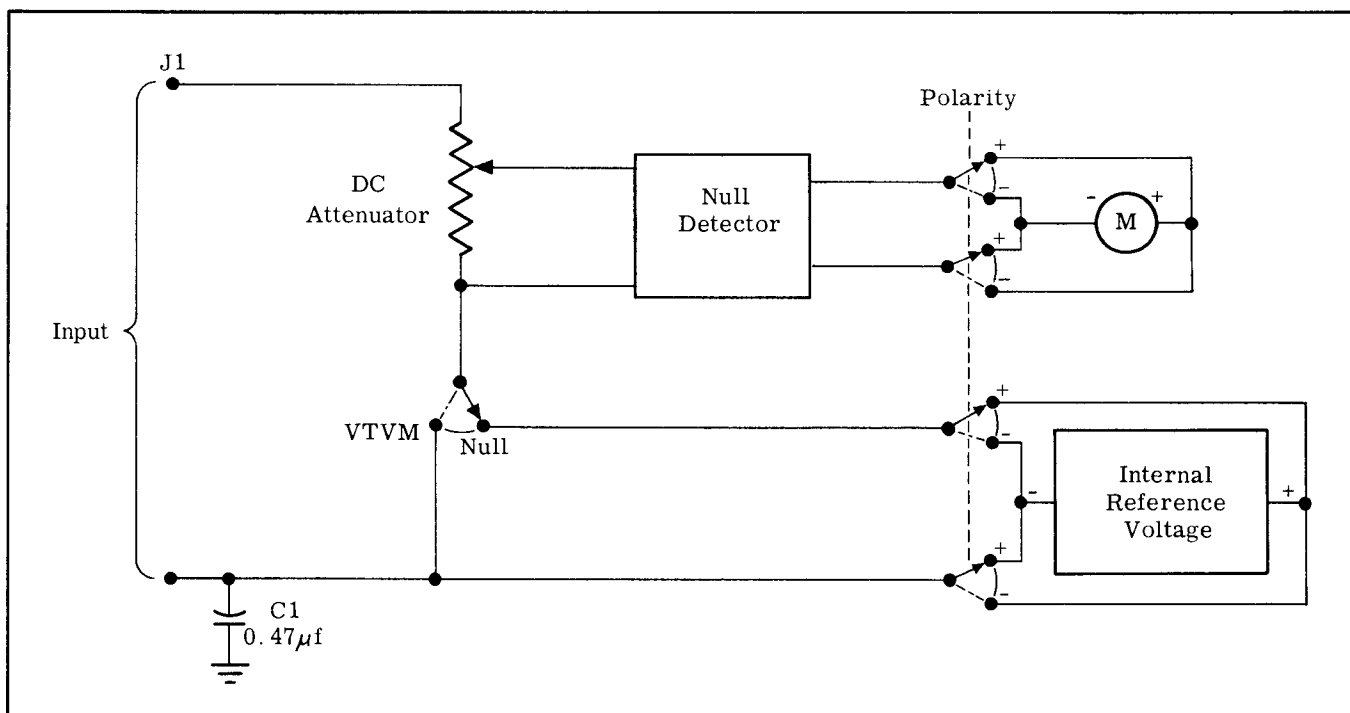


Figure 3-2. DC FUNCTION OF AC-DC POLARITY SWITCH

3-7. AC - DC POLARITY SWITCH.

a. The AC - DC polarity switch is provided for selecting either the AC or DC mode of operation. When the AC - DC polarity switch is set to AC, the AC to DC converter is switched into the circuit by sections S5I and S5K. Also, sections S5G and S5H are used to switch 5V DC to the Kelvin-Varley divider. When in the AC VTVM mode, S5L is used to provide the proper attenuation for the DC attenuator.

b. The AC - DC polarity switch may be set to either of two positions, positive or negative, for the DC mode of operation. As seen in figure 3-2, the AC - DC polarity switch does not just reverse the input posts when going from the positive to negative DC position. It reverses the meter and the internal reference supply. If the instrument did not contain positive and negative DC positions, the grounded side of any unknown voltage that is negative with respect to ground would have to be connected to the upper input binding post. This would ground the upper post and effectively place C1 (a 0.47 uf capacitor) across the input terminals. Even if C1 was disconnected, there would still be considerable capacitance

across the input due to transformer winding capacitance and stray wiring capacitance. With this capacitance across the circuit being measured several problems could arise. The polarity switch provides equal convenience in measuring positive or negative voltages without the occurrence of these problems.

3-8. NULL DETECTOR POWER SUPPLY

A half wave rectifier system consisting of diode CR201 and a filter network (C214A, R228, and C214B) provides an unregulated DC voltage. This voltage is regulated by using an OA2 tube (V204) and a dropping resistor R229 in order to maintain a fairly stable B+ supply for the null detector. The chopper coil supply and the filament supply for V202 and V203 is obtained from a 6.3 volt winding. Variable resistor R227 along with divider resistors R225 and R226 provide a compensating voltage for the purpose of adjusting the null detector to zero with R227 when there is no signal input.

SECTION IV

MAINTENANCE

4-1. GENERAL

The 803B AC/DC Differential Voltmeter seldom requires any maintenance. Without extreme abuse, all that should be required is occasional cleaning, tube replacement and calibration. Preventive maintenance consists only of preventing any leakage as discussed in paragraph 4-2. A discussion of troubleshooting along with a troubleshooting chart, component location diagrams, and a tube voltage chart are provided in paragraph 4-3. Paragraph 4-4 delineates the equipment and procedures necessary to calibrate the instrument.

4-2. PREVENTIVE MAINTENANCE

a. The accuracy of the 803B is adversely affected by excessive electrical leakage from the input of the null detector to either ground or the 500 volt reference supply. This leakage becomes evident when the RANGE switch is set to 500, NULL switch to 0.1, voltage read-out dials to 490.00, and no input at the binding posts. The leakage indicated on the meter should be not more than one-tenth of full scale. Special care has been taken to prevent leakage across certain critical switch wafers and areas of some printed circuit boards due to moisture from condensation. The printed circuit boards have been coated with Humi-Seal 1B12 (manufactured by Columbia Technical Corp. of Woodside, N. Y.). The RANGE, NULL, OPERATE-CALIBRATE, and AC-DC polarity switches have been dipped in Dow Corning silicone oil. Accumulations of dust and foreign matter will cause internal leakage, and should be removed as often as necessary, depending on environmental operating conditions. Blowing the instrument out with low pressure, clean, dry air will remove most accumulations. Particular attention should be paid to the binding posts and wiring, and the NULL, RANGE, OPERATE-CALIBRATE, and AC-DC polarity switches.

b. After blowing the instrument out, the binding posts, insulators, and front panel may be cleaned with a rag saturated in anhydrous denatured ethyl alcohol. When necessary, wash all exposed dielectric surfaces of the NULL, RANGE, OPERATE-CALIBRATE, and AC-DC polarity switches with this alcohol using a small, stiff-bristled brush.

CAUTION

Do not use Metriclene, acetone, lacquer thinner, or any other methyl ethyl ketones since they will react with the Lexan rotor on the CTS plastic switches.

After washing, recoat the exposed switch insulating material with a solution of Dow Corning 200 having a viscosity between 5 and 20 centistokes. This prevents leakage due to moisture on these surfaces.

4-3. TROUBLESHOOTING

a. GENERAL. To assist in localizing most troubles which might occur, a troubleshooting chart (figure 4-1) lists the causes and remedies for a number of symptoms. Since failure of the 803B is usually due to tube failure, it is recommended that tube substitution be tried before any other tests are made. However, the 803B is conservatively designed and should require very infrequent tube replacement. At certain times, a check of the DC pin voltages in the tubes (figure 4-4) is also useful. As an aid to troubleshooting, all components may be located by referring to the figures shown in Section V. An understanding of the theory of operation (Section III) and frequent reference to the functional schematic will be of great value in troubleshooting.

SYMPTOM	PROBABLE CAUSE	REMEDY
Drift of the 500 volt DC reference supply evidenced by the continual need for resetting with the CALIBRATE control.	<p>V102, V104, or V105 defective.</p> <p>One of the sampling string resistors (R123, R124, R121) is changing value rapidly as the instrument warms up.</p> <p>Drifting standard cell EMF possibly caused by previous shorting or inverting of the cell. (803B and 803BR)</p>	<p>Check V102, V104, and V105 by replacement.</p> <p>Locate faulty resistor by heating slightly with a soldering iron held near the resistor while observing the 500 volt DC calibration.</p> <p>Allow time for the standard cell to stabilize. Several hours should be sufficient.</p>
Cannot calibrate 500 volt DC reference supply. Meter cannot be brought to zero with CALIBRATE control.	<p>Excessive aging of V102.</p> <p>Out of calibration.</p> <p>One or more resistors in 500 volt DC sampling string has shifted in value.</p> <p>Standard cell EMF has shifted. (803B and 803BR)</p>	<p>Check V102 by replacement.</p> <p>Recalibrate per paragraph 4-4.</p> <p>Recalibrate per paragraph 4-4 and observe stability for 48 hours. If 500 volt DC reference supply remains stable replacement of resistor is unnecessary.</p> <p>Recalibrate instrument and observe stability of reference supply. Replacement of the standard cell may be necessary.</p>
Measurements are out of tolerance on one range other than the 500 volt range.	A reference supply output range resistor on the range resistor printed circuit board is out of tolerance.	If the trouble occurs in the 50 volt range, R324 has shifted; in the 5 volt range, R325 or R327 has shifted; in 0.5 volt range, R328 or R330 has shifted. It may be possible to correct by recalibration. If not, replace faulty resistor.
Measurements are out of tolerance on all ranges other than the 500 volt range.	R320 or R321 has shifted in value.	It may be possible to correct all range voltages by recalibration. If not, replace faulty resistor.
Measurements are out of tolerance on any range when the Kelvin-Varley divider is dialed to any setting other than <u>499910</u> .	One of the Kelvin-Varley divider resistors is out of tolerance.	Measure the voltage drop across each Kelvin-Varley resistor with another John Fluke Differential Voltmeter. Begin by setting RANGE switch to 500 volts and the voltage readout dials to 499.910. Reference to the schematic diagram will show that there should be 100, 10, 1, 0.1, and 0.01 volts respectively across each resistor of the A, B, C, D, and E decades, except for the two resistors of each decade that are paralleled by the following decade. Across these two resistors, there should be 50, 5, 0.5, and 0.05 volts, respectively. Measure all voltages $\pm 0.05\%$. Remember that if one resistor in a decade has increased or decreased appreciably, the voltage drop across all other resistors in the decade will be slightly affected also.
Instrument is out of specifications on all ranges.	Resistors R306, R307, R308, R309 or R310 out of tolerance.	Check and replace faulty resistor.

Figure 4-1. TROUBLESHOOTING (sheet 1 of 2)

SYMPTOM	PROBABLE CAUSE	REMEDY
Meter rattle, drift, or error is observed on all null ranges.	V202 or V203 faulty. Chopper G1 faulty. Moisture or dirt on printed circuit boards or switches.	Check V202 and V203 by replacement. Replace chopper. Clean instrument.
NOTE: Assuming all DC measurements are normal, the following symptoms are common to AC measurements only.		
Measurements are out of tolerance on 500 volt AC range only.	Out of calibration. One or more resistors in 500 volt AC attenuator has shifted in value.	Recalibrate per paragraph 4-4d (1) and 4-4d (6). DC calibration is not necessary. Recalibrate per paragraph 4-4d (1) and 4-4d (6). DC calibration is not necessary. Recheck calibration after 48 hours and if attenuator has remained stable, replacement of resistor is unnecessary. If attenuator does not remain stable, or calibration is not possible, replace faulty resistor.
Measurements are out of tolerance on 50 volt AC range only.	Out of calibration One or more resistors in 50 volt AC attenuator has shifted in value.	Recalibrate per paragraph 4-4d (1) and 4-4d (8). DC calibration is not necessary. Recalibrate per paragraph 4-4d (1) and 4-4d (8). DC calibration is not necessary. Recheck after 48 hours and if attenuator has remained stable, replacement of resistor is unnecessary. If attenuator does not remain stable or if calibration is not possible, replace faulty resistor.
Measurements out of tolerance on all AC ranges.	Out of calibration V501 or V502 faulty	Recalibrate per paragraph 4-4d Check V501 and V502 by replacement
Measurements out of tolerance at a specific frequency.	Out of calibration Faulty frequency compensation capacitor	Recalibrate per paragraph 4-4d Locate faulty capacitor and replace. If trouble occurs on all ranges, check C504. If trouble occurs on 500 volt range only, check C523, C524, and C525. If trouble occurs on 50 volt range only, check C501 and C502. If trouble occurs on 500, 50, and 5 volt range, check C521. If trouble occurs on 0.5 volt range check C519 and C520.

Figure 4-1. TROUBLESHOOTING (sheet 2 of 2)

b. **TUBE REPLACEMENT.** Replacement of tubes will not normally necessitate complete recalibration of the 803B. If V202 or V203 is replaced, calibrate the null detector as set forth in paragraphs 4-4c. (1) and 4-4c. (2). Replacement of V101, V102, V104, or V105 will necessitate calibration of the reference supply per paragraphs 4-4c. (1) and 4-4c. (3). If V501 or V502 is replaced, calibrate the AC to DC converter as in paragraph 4-4d.

c. **COMPONENT REPLACEMENT.** Should it ever become necessary to replace a component on a printed

circuit board, proceed as follows:

- (1) Clean soldered area around component with methyl ethyl ketone.
- (2) Remove part and install new component.
- (3) Remove flux with du Pont Freon PC.
- (4) Allow to dry for 10 minutes. When it is cool or humid, it may be necessary to place area under a lamp to ensure thorough drying.
- (5) Coat any uncoated areas around R305 through R310 on the Range Resistor Board and around the input to the Null Detector Board (tube V202, EF-86/6267, and chopper) with Humi-Seal 1B12.

d. **STANDARD CELL PROBLEMS.** The standard cell of the 803B and 803BR deserves special consideration if it is suspected of being faulty:

(1) The standard cell used in the Model 803B and 803BR is a miniature low hysteresis unit which has excellent long term stability and negligible temperature hysteresis. (Hysteresis is a temporary increase in EMF immediately following a decrease in temperature; this effect should not be confused with temperature coefficient). Under normal conditions this cell should last from 8 to 15 years. In rare instances, failure has occurred in less than 2 years. End of life is usually marked by an increase in temperature hysteresis effect. That is, reading errors in excess of 0.025% will result when the same voltage is read with the 803B hot and cold. Should replacement of the cell become necessary for any reason, the instrument must be recalibrated (basic 500 volt range only), since the EMF of different cells may be different by as much as 0.05% and each instrument is calibrated to its own particular standard cell. Refer to the recalibration instructions in this case.

(2) Failure of the standard cell may occur if subjected to below freezing temperature. The electrolyte will freeze at 1°F and operation below 32°F is definitely not recommended. The life of the cell also will be greater if the 803B is not operated at elevated temperature. The 8 to 15 year figure holds for operation of the instrument in normal room temperature.

(3) The EMF of the standard cell will change if the cell has been inverted, or if the cell has been inadvertently short-circuited. If the EMF has changed, the 803B will naturally be out of calibration on all ranges. In either case, the cell will return to its original EMF. If the cell were inverted or shorted for only a few seconds, the 803B should be able to measure voltages within specifications after several hours recovery time.

e. **DECIMAL LAMP REPLACEMENT.** The decimal lamps are normal 6.3 volt pilot bulbs. To prolong their life these bulbs are operated from a 5 volt transformer winding. However, these bulbs do occasionally fail. To replace, proceed as follows:

(1) On cabinet models, remove screws at back of cabinet and slide instrument out of case.

(2) Remove four screws that hold front panel assembly to chassis.

(3) Being careful to avoid wiring damage, gently lift front panel assembly from instrument and set face down in front of instrument.

(4) Remove screws holding range resistor printed circuit board and Kelvin-Varley printed circuit board to front panel assembly.

(5) Push these printed circuit boards aside enough to allow access to pilot light holders.

(6) Remove pilot light holder from bracket by applying pressure to each side of holder.

(7) Remove cardboard light shield and replace pilot light.

(8) On rack models, remove screws holding cover to instrument and set cover aside.

(9) Remove pilot light holder from bracket by applying pressure to each side of holder.

(10) Remove cardboard light shield and replace pilot light.

4-4. CALIBRATION

a. **GENERAL.** The 803B can be calibrated as often as deemed necessary. However, it is recommended that Zener diode models be calibrated every three months and standard cell models be calibrated every six months. For special applications where extreme accuracy is required, it may be desired to calibrate the instrument more frequently. Calibration should be accomplished in a draft-free area with ambient temperature of 72 (± 3)°F for maximum accuracy under laboratory operation conditions. The recommended equipment and the specifications required for DC Differential Voltmeter calibration and AC to DC Converter calibration are shown in figure 4-2. All controls may be located with the aid of figure 4-3. The recommended calibration set-up is shown in figure 4-5 for DC Differential Voltmeter calibration and in figure 4-6 for AC to DC Converter calibration.

RECOMMENDED EQUIPMENT	SPECIFICATIONS REQUIRED
DC CALIBRATION: Any Fluke Model 800 series Differential Voltmeter. Fluke 301C or 301E Power Supply Eppley Standard Cell 100A Leeds and Northrup 2430A Galvanometer Electro Scientific Industries Special Precision Voltage Divider X194 Any single pole push button switch with fine silver contacts Any double pole push button switch with fine silver contacts Any 5.6 ($\pm 10\%$) Ω resistor Any 56 ($\pm 10\%$) Ω resistor	The equipment used must provide 500, 50, 5, and 0.5 volts with an accuracy of 0.01%.
AC CALIBRATION: Any Fluke Model 800 series Differential Voltmeter Fluke 301C or 301E Power Supply Elin VC - 555A Oscillator Fluke 540A Transfer Standard	The equipment used must provide 500, 50, 5, and 0.5 volts AC at 400 cycles and 10 kilocycles with an accuracy of at least 0.05% and with less than 0.1% total harmonic distortion.

Figure 4-2. CALIBRATION EQUIPMENT

b. The DC Differential Voltmeter calibration must be performed prior to AC to DC Converter calibration. Paragraph 4-4c describes DC Differential Voltmeter calibration and paragraph 4-4d describes AC to DC Converter calibration. For DC Differential Voltmeter calibration, the Bureau of Standards will certify the standard cell to only 0.01%. However, the standard

cell may be maintained to 0.002% if treated with care and not subjected to sudden temperature changes. For reasonable certainty of 0.002% cell accuracy, the certified value should be known to six places. Since the ESI voltage divider is accurate within 0.005%, the overall DC calibration system accuracy is between 0.003% and 0.007%.

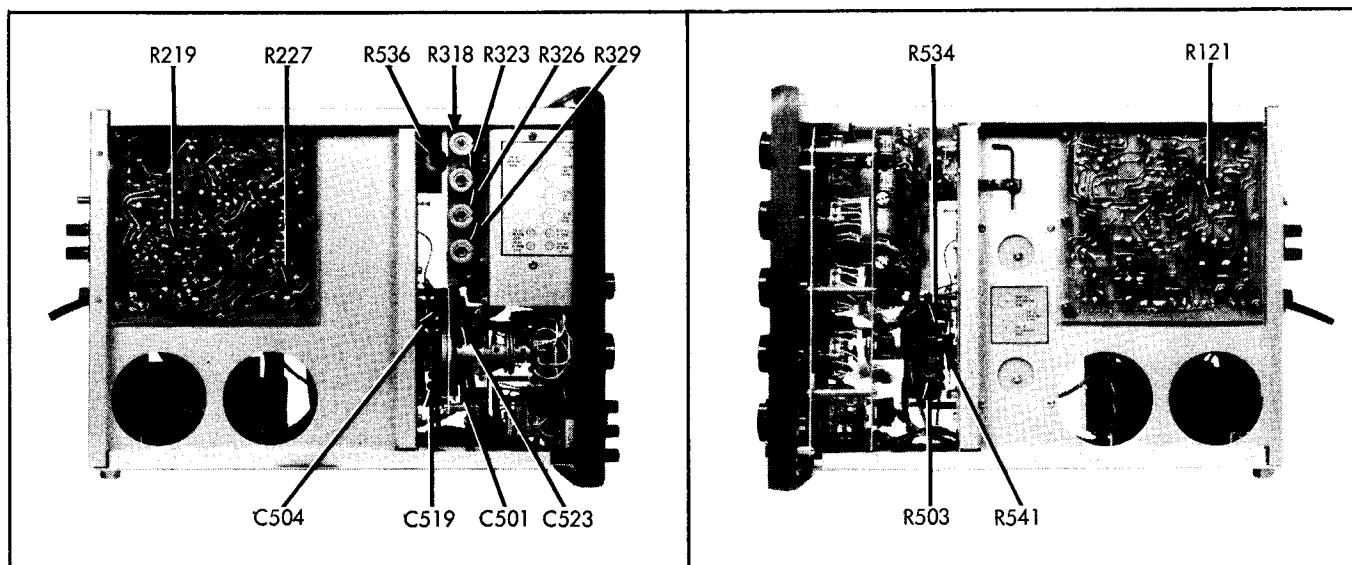


Figure 4-3. ADJUSTMENT LOCATIONS

Symbol & Type	Pin 1	Pin 2	Pin 3	Pin 4	Pin 5	Pin 6	Pin 7	Pin 8	Pin 9
V101, 6BQ5	No Conn.	495	500	Heater voltage 6.3 volts ac		No Conn.	680 to 730	No Conn.	680 to 730
V102, OG3	85	0	Int. Conn.	0	85	Int. Conn.	0	No Pin	No Pin
V104, 12AX7	217	84	86	Heater voltage 5.9 volts dc		217	84	86	See Pin 4 & 5
V105, 12AX7	495	217	220	Heater voltage 6.3 volts ac		500	217	220	
V202, EF-86/6267	35	0	1.2	Heater voltage 6 volts ac		50	0	1.2	-
V203, 6AW8	0.9	-	100	Heater voltage 6.3 volts ac		0.7	-	20	40
V204, OA2	150	0	Int. Conn.	0	150	Int. Conn.	0	No Pin	No Pin
V501, 6EJ7	1.3	-	1.3	Heater voltage 5.9 volts dc		0	149	93	1.3
V502, 6AW8	28	-	197			1.8	-	103	70

This chart is to be used under the following conditions: (a) RANGE switch set to 500; (b) NULL switch set to VTVM; (c) all voltage readout dials set to zero; (d) line voltage at 115/230 volts, 50 - 60 cycles; and (e) all measurements made with a VTVM from negative binding post to specified terminal.

Figure 4-4. TUBE VOLTAGE CHART

c. DC DIFFERENTIAL VOLTMETER CALIBRATION

(1) Preliminary Calibration Procedure.

(a) Set 803B meter to zero with mechanical zero control.

(b) Set switches on 803B as follows:

RANGE	500
NULL	VTVM
AC - DC polarity	+ (positive)
all voltage readout dials	0 (zero)

(c) Set power switch to ON and allow 803B to warm-up to equilibrium temperature (about 1/2 hour).

(d) Set up necessary equipment to provide DC voltages of 500, 50, 5, and 0.5 volts DC with an accuracy of 0.01%. Proceed as follows: connect the equipment as shown in figure 4-5; turn on all test equipment and allow it to warm-up to equilibrium temperature (about 1/2 hour); set the proper standard cell voltage on the ESI divider; apply 500 volts DC into the divider from the power supply; set ESI divider to 500 and zero galvanometer by varying the output of the power supply while depressing the coarse and then the coarse and fine push-button switch; voltages of 500, 50, 5, and 0.5 volts DC ($\pm 0.01\%$) are made available at the output posts by merely changing the position of the voltage selector switch on the voltage divider.

(2) Null Detector Calibration.

(a) Connect chassis ground to line ground.

(b) Short meter terminals and zero meter with adjustment screw on the front of the meter case.

(c) Adjust null detector ZERO ADJ control R227 until meter indicates zero.

(d) Apply 500 volts DC to voltmeter.

(e) Adjust VTVM GAIN ADJ control R219 for full scale deflection.

(3) 500 VDC Reference Supply Calibration.

(a) Measure reference supply voltage between pin 3 of V101 and negative binding post.

(b) Center CALIBRATE control at its center of rotation.

(c) Adjust 500 V ADJ control R121 until reference supply is 500.0 (± 0.2) volts.

(4) 500 V DC Reference Supply Adjustment.

(a) Set switches on 803B as follows:

RANGE	500
NULL	0.1
Voltage readout dials	499. <u>910</u>

(b) Apply 500 volts DC ($\pm 0.01\%$) to voltmeter.

(c) Null meter by adjusting CALIBRATE control.

(d) Advance OPERATE-CALIBRATE switch against spring tension to CALIBRATE and null meter by adjusting REF CAL ADJ control R318.

(5) 50 V DC Range Divider Calibration.

(a) Set switches on 803B as follows:

RANGE	50
NULL	0.01
Voltage readout dials	49. <u>9910</u>

(b) Apply 50 volts DC ($\pm 0.01\%$) to voltmeter.

(c) Null 803B meter by adjusting 50 V DC ADJ control R323.

(6) 5 V DC Range Divider Calibration.

(a) Set switches on 803B as follows:

RANGE	5
NULL	0.01
Voltage readout dials	4. <u>99910</u>

(b) Apply 5 volts DC ($\pm 0.01\%$) to voltmeter.

(c) Null 803B meter by adjusting 5 V DC ADJ control R326.

(7) 0.5 V DC Range Divider Calibration.

(a) Set switches on 803B as follows:

RANGE	0.5
NULL	0.01
Voltage readout dials	. <u>499910</u>

(b) Apply 0.5 volts DC ($\pm 0.01\%$) to voltmeter.

(c) Null 803B meter by adjusting 0.5 V DC ADJ control R329.

This completes the DC Differential Voltmeter calibration.

d. AC TO DC CONVERTER CALIBRATION

(1) Preliminary Calibration Procedure.

(a) Perform DC Differential Voltmeter calibration as in paragraph 4-4c.

(b) Set switches on 803B as follows:

RANGE	500
NULL	0.01
AC - DC polarity	AC
Voltage readout dials	499. <u>910</u>

(c) Set up the necessary equipment to provide AC voltage of 500, 50, 5, and 0.5 volts AC with an accuracy of at least $\pm 0.05\%$ at frequencies of 400 cycles and 10 kilocycles, with less than 0.1% total harmonic distortion. Proceed as follows: Connect equipment as shown in figure 4-6; turn on all test equipment and allow it to warm up to equilibrium temperature (about 1/2 hour);

adjust DC power supply voltage until differential voltmeter indicates RMS value of AC voltage required; apply output of DC supply to 540A and null galvanometer by adjusting internal reference supply voltage; apply output of AC oscillator to 540A and null galvanometer by adjusting AC oscillator voltage; the output of the Elin Oscillator now equals the required AC voltage.

(2) 0.5 VAC Converter Gain Adjustment.

- Set RANGE switch to 0.5 volt position.
- Apply 0.5 volts AC at 400 cycles to voltmeter.
- Adjust 0.5 VAC GAIN ADJ control R536 until the meter needle is within ± 50 microvolts (1/2 major division) of null.

(3) 5 VAC Converter Gain Adjustment.

- Set RANGE switch to 5 volt position.
- Apply 5 volts AC at 400 cycles to voltmeter.
- Adjust 5 VAC GAIN ADJ control R541 for a null.

(4) 5 VAC High Frequency Adjustment.

- Apply 5 volts AC at 10 kilocycles to voltmeter.
- Adjust 5 VAC HF TRIM control C504 for a null.

(5) 0.5 VAC High Frequency Adjustment.

- Apply 0.5 volts AC at 10 kilocycles to voltmeter.
- Adjust 0.5 VAC HF TRIM control C519 for a null.

(6) 500 VAC Attenuator Adjustment.

- Set RANGE switch to 500 volt position.
- Apply 500 volts AC at 400 cycles to voltmeter.
- Adjust 500 VAC ATTENUATOR control R534.

(7) 500 VAC High Frequency Adjustment.

- Apply 500 volts AC at 10 kilocycles to voltmeter.
- Adjust 500 VAC HF TRIM control C523 for a null.

(8) 50 VAC Attenuator Adjustment.

- Set RANGE switch to 50 volt position.
- Apply 50 volts AC at 400 cycles to voltmeter.
- Adjust 50 VAC ATTENUATOR control R503 for a null.

(9) 50 VAC High Frequency Adjustment.

- Apply 50 volts AC at 10 kilocycles to voltmeter.
- Adjust 50 VAC HF TRIM control C501 for a null.

This completes the AC to DC Converter calibration.

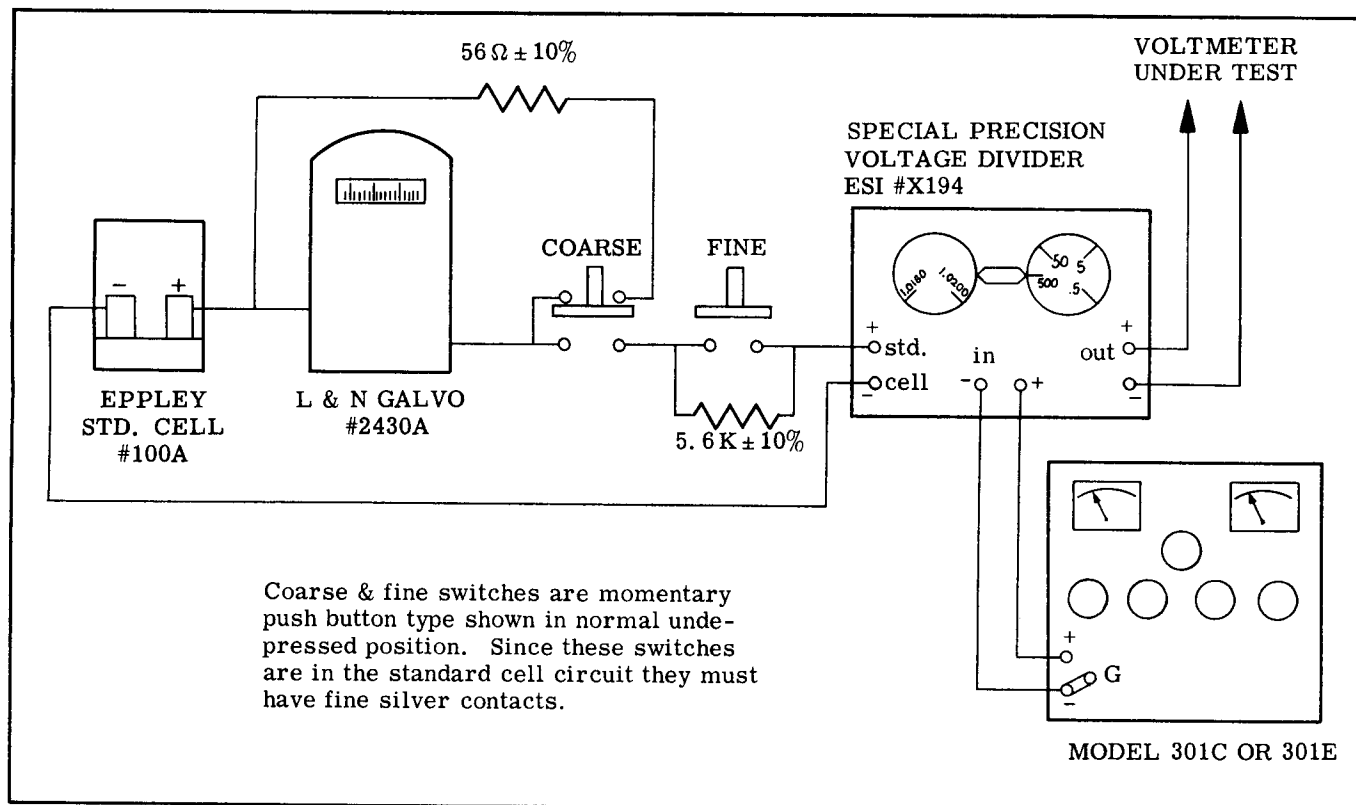


Figure 4-5. DC DIFFERENTIAL VOLTMETER CALIBRATION SET-UP

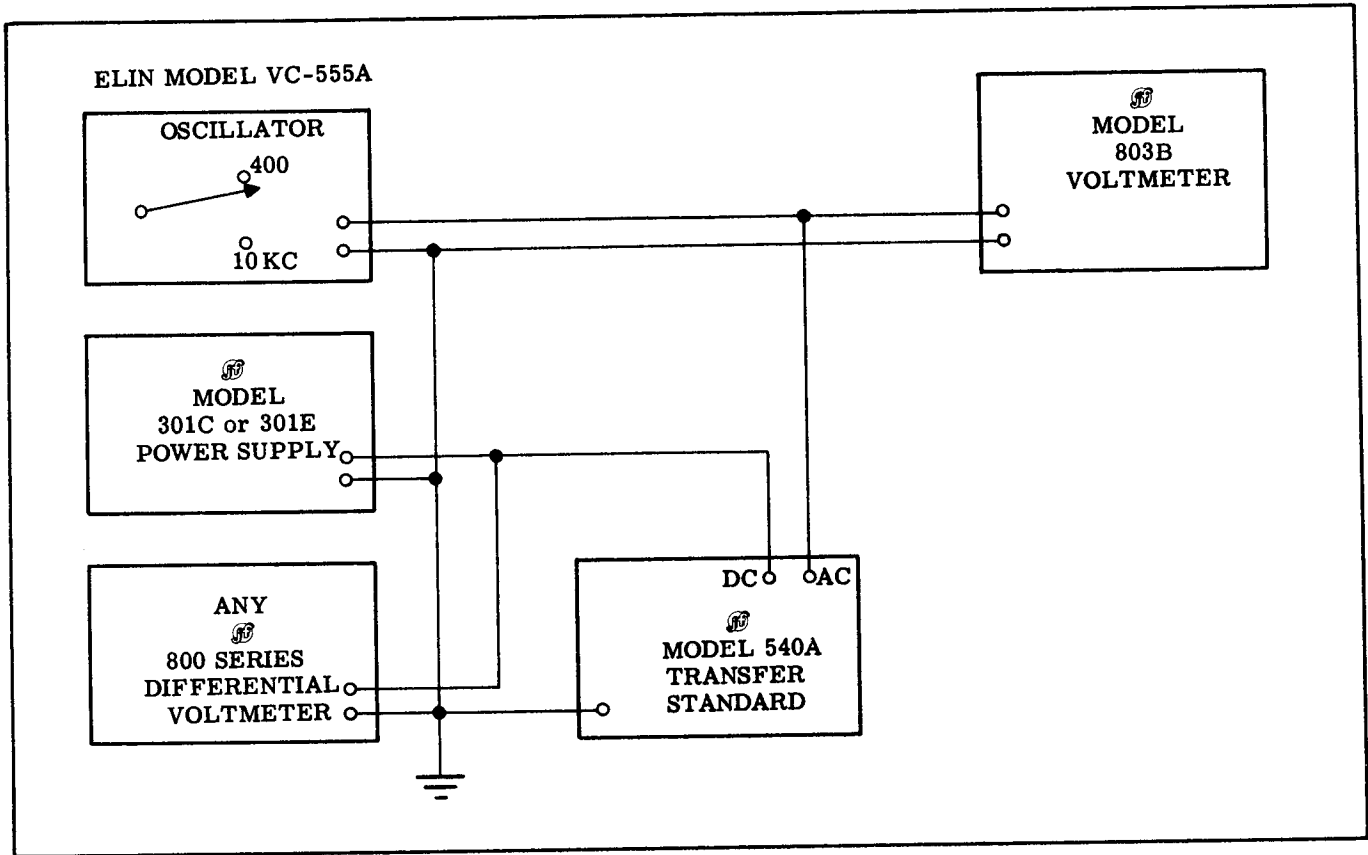


Figure 4-6. AC TO DC CONVERTER CALIBRATION SET-UP

SECTION V

LIST OF REPLACEABLE PARTS

5-1. GENERAL

a. The following seven assembly lists describe all normally replaceable parts of the Model 803B, 803BR, 803B/AG, and 803BR/AG Differential AC/DC Voltmeters. Each list has a corresponding illustration on which the parts for that list are pointed out. Parts are called out on both lists and illustrations by reference designations from the schematic diagram. Those parts (mechanical) which have no reference designation are shown on the illustrations by Fluke Stock Number.

b. A Use Code column is provided to identify certain parts that have been added, deleted, or modified during production of the 803B. Each part for which a use code has been assigned may be identified with a particular instrument serial number by consulting the Use Code Effectivity List at the end of this section.

5-2. HOW TO OBTAIN PARTS

a. Standard components have been used whenever possible. Thus, most parts may be obtained locally. However, special components are used in some instances. All parts manufactured or altered by Fluke and all parts for which Fluke controls the design are designated by an asterisk preceding the Fluke stock number. All structural parts and special parts should be purchased from your local Fluke representative or from the factory.

b. When ordering parts always include:

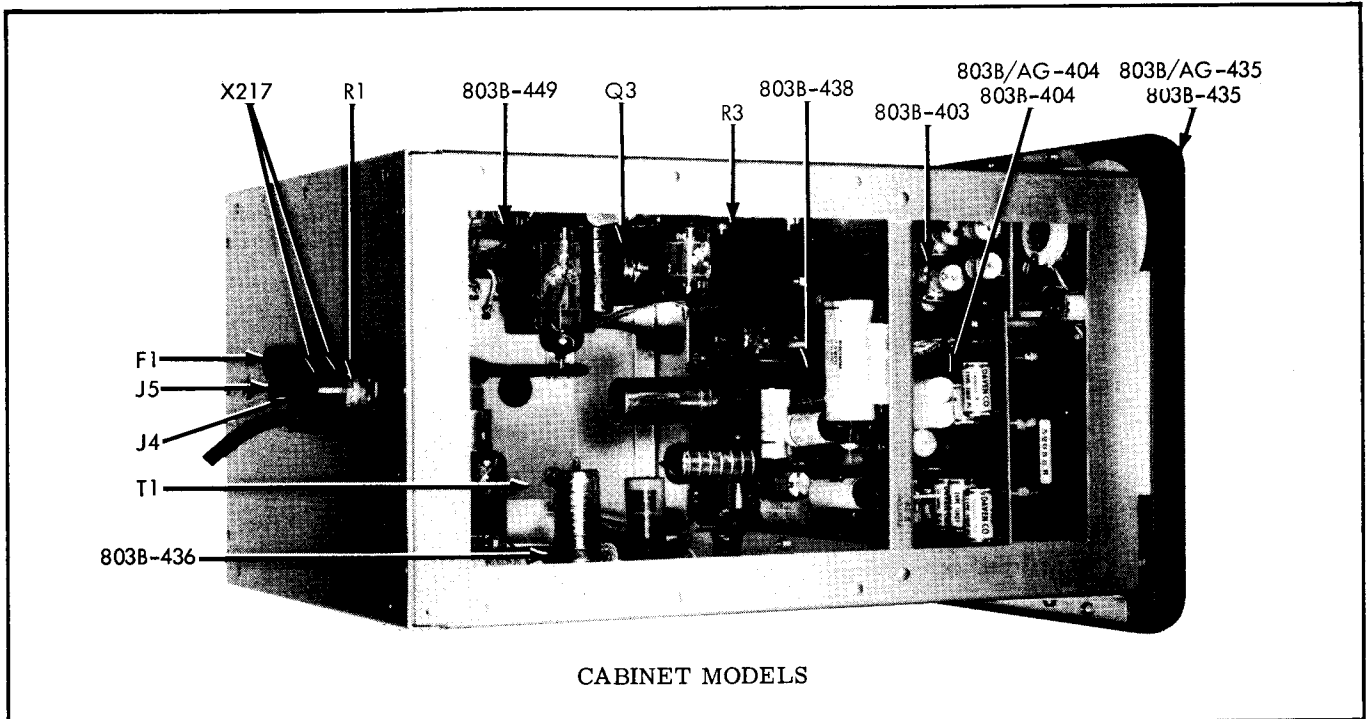
(1) Reference designation, description, and Fluke stock number.

(2) Instrument model and serial number.

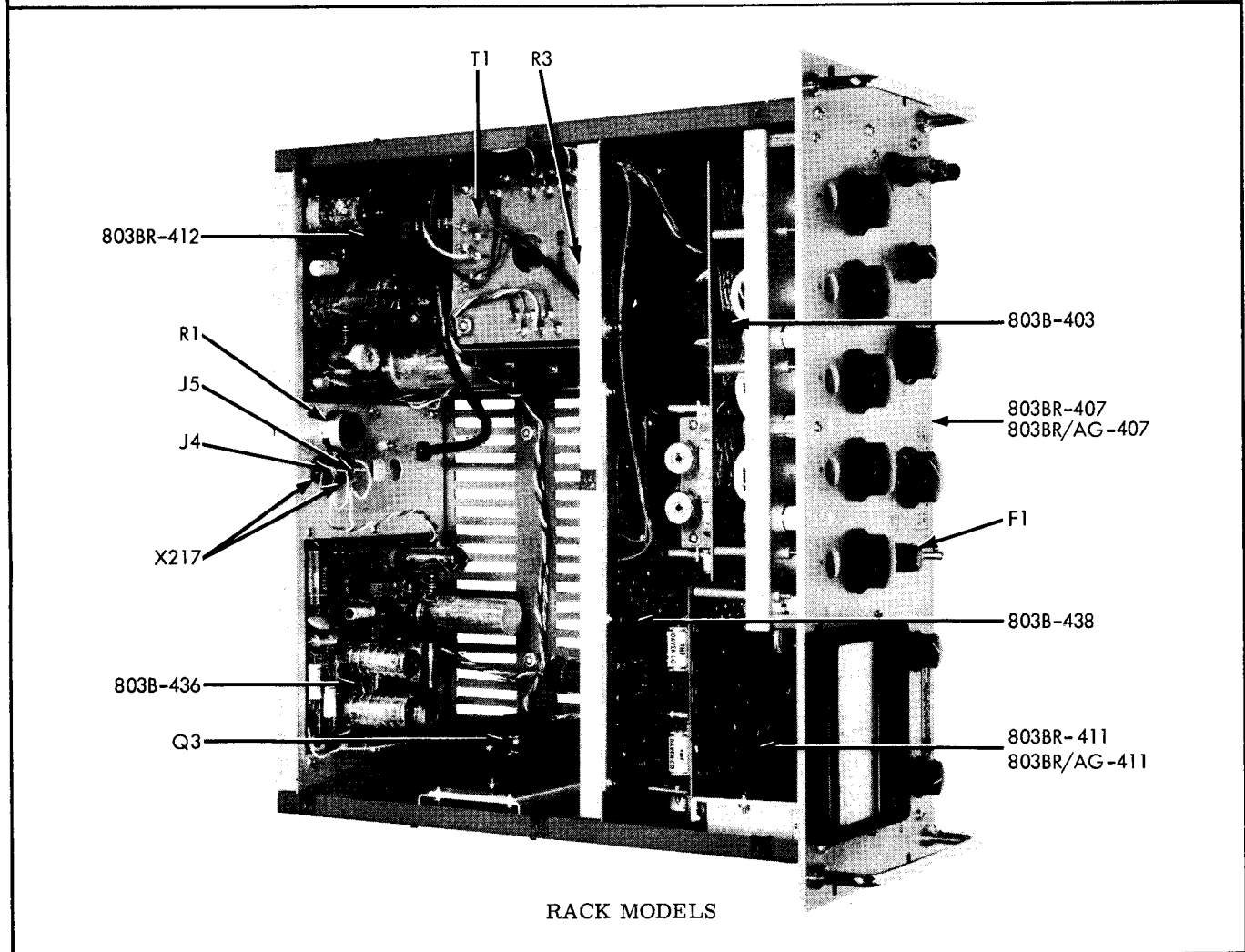
(3) Most structural parts are not listed. In this case, give complete description, function, and location for the part.

REFERENCE DESIGNATION	DESCRIPTION	FLUKE STOCK NO.	USE CODE
	Final Assembly (Cabinet model, standard cell option) (Rack model, standard cell option) (Cabinet model, Zener diode option) (Rack model, Zener diode option)	*803B-509 *803BR-509 *803B/AG-509 *803BR/AG-509	
	Front Panel Assembly	*803B-435 *803BR-407 *803B/AG-435 *803BR/AG-407	
	Rear Chassis		
J4, J5	Binding post, black	X219	
	Binding post insulator, red	X217	
F1	Fuse, 1.5 ampere, slow-blowing (for 115 volt operation)	F1-1/2A	
F1	Fuse, 0.75 ampere, slow-blowing (for 230 volt operation)	F-3/4A	
R1	Potentiometer, wirewound, 5K, 10%, 2W	P5KA	

REFERENCE DESIGNATION	DESCRIPTION	FLUKE STOCK NO.	USE CODE
R3	Resistor, precision power (803B/AG and 803BR/AG. Optimum value is selected at factory to match Zener diode. When ordering, include date and serial number listed on Range Resistor Printed Circuit Board decal.)		
Q3	<p>Transistor, germanium, PNP, 2N301W</p> <p>Null Detector Printed Circuit Board Assembly</p> <p>Range Resistor Printed Circuit Board Assembly</p> <p>Reference Supply Printed Circuit Board Assembly</p> <p>Kelvin-Varley Resistor Printed Circuit Board Assembly</p> <p>Converter/AC Range Switch Assembly</p>	<p>2N301W</p> <p>*803B-436</p> <p>*803B-404</p> <p>*803BR-411</p> <p>*803B/AG-404</p> <p>*803BR/AG-411</p> <p>*803B-449</p> <p>*803BR-412</p> <p>*801B-403</p> <p>*803B-438</p>	
T1	<p>Transformer, power</p> <p>Line cord, 3 wire</p> <p>Rubber foot</p> <p>Case Assembly (Cabinet models only)</p> <p>Handle, flexible black vinyl, 5-1/2" (Cabinet models only)</p>	<p>*801B-652</p> <p>X27H</p> <p>X224</p> <p>*803B-271</p> <p>X373</p>	



CABINET MODELS



RACK MODELS

Figure 5-1. FINAL ASSEMBLY

REFERENCE DESIGNATION	DESCRIPTION	FLUKE STOCK NO.	USE CODE
J1, J2, J3	Front Panel Assembly	*803B-435 *803BR-407 *803B/AG-435 *803BR/AG-407	
	Binding post, black	X219	
	Binding post insulator, red	X217	
	Binding post spacer	X220	
	Shorting link	X221	
	Knob, 1 inch with pointer	X231	
	Knob, 1-1/2 inch without pointer	X207	
	Knob, 1-1/2 inch with pointer	X234	
	Knob, 1-1/2 inch with index line	X2085	
	Voltage dial plates (cabinet model)	D3	
	Voltage dial plates (rack model)	D2	
B1	Standard cell	X223	
C1	Capacitor, mylar, 0.47 uf, 10%, 600V	CP25	
M1	Meter, 100-0-100 microamp (M32, M49 and M56 are interchangeable)	*M32, M49, or M56	
S1	Switch, power	ST5	
S2	Switch, range, DC section	*803B-812	
S3	Switch, null	*803B-816	
S4	Switch, operate-calibrate	*803B-814	
S5	Switch, AC-DC polarity	*803B-825	
S6	Switch, voltage dial A	*801B-819	
S7, S8, S9	Switch, voltage dials B, C, and D	*801B-820	
S10	Switch, voltage dial E	*801B-821	
DS1, DS2, DS3, DS4	Lamps, decimal	X2051	
R2	Potentiometer, dual section wirewound, 1K and 100 ohm, 10%, 2W	PIKD	
	Handle, 6" chrome plated (rack models only)	X340	

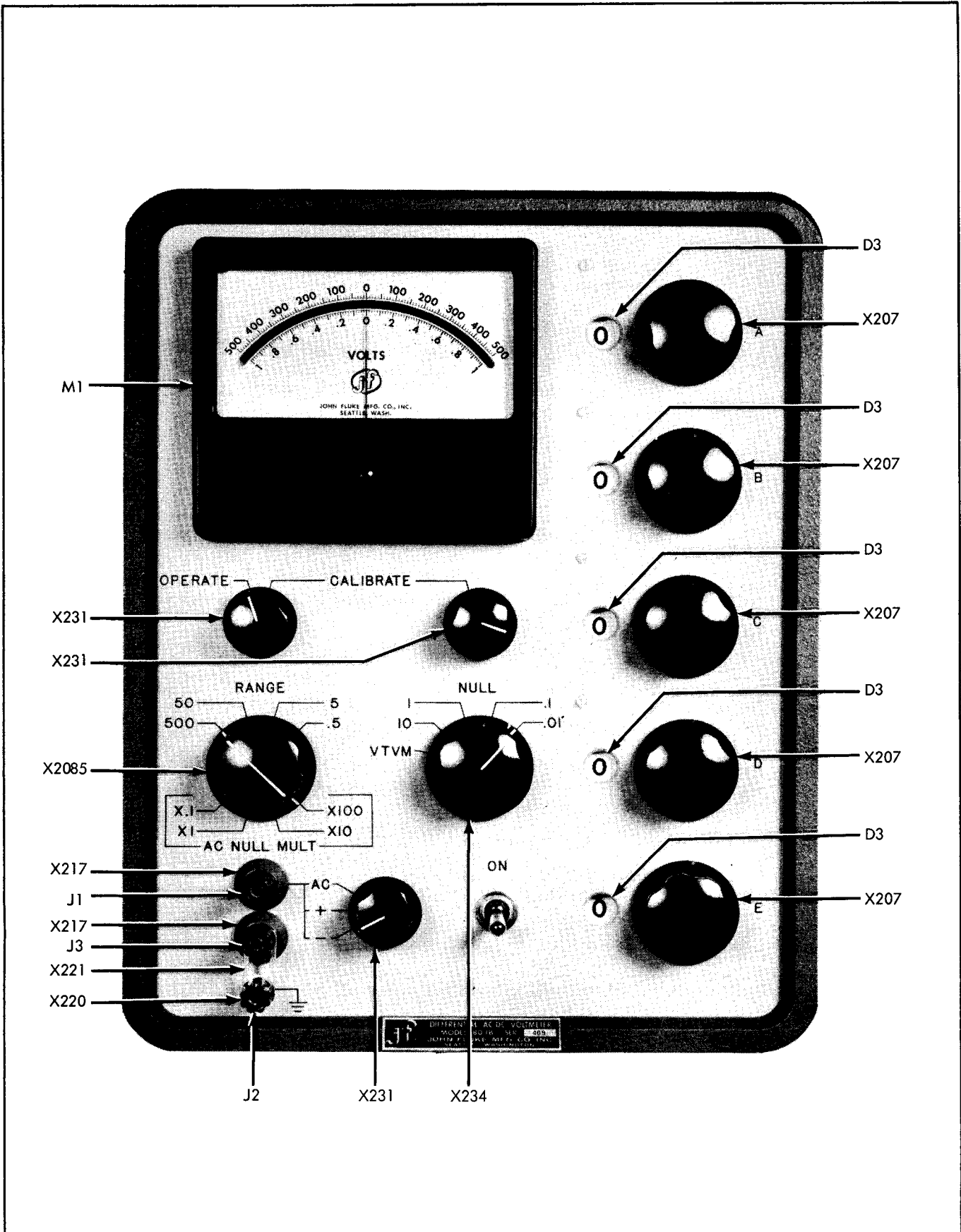


Figure 5-2. FRONT PANEL ASSEMBLY (sheet 1 of 2)

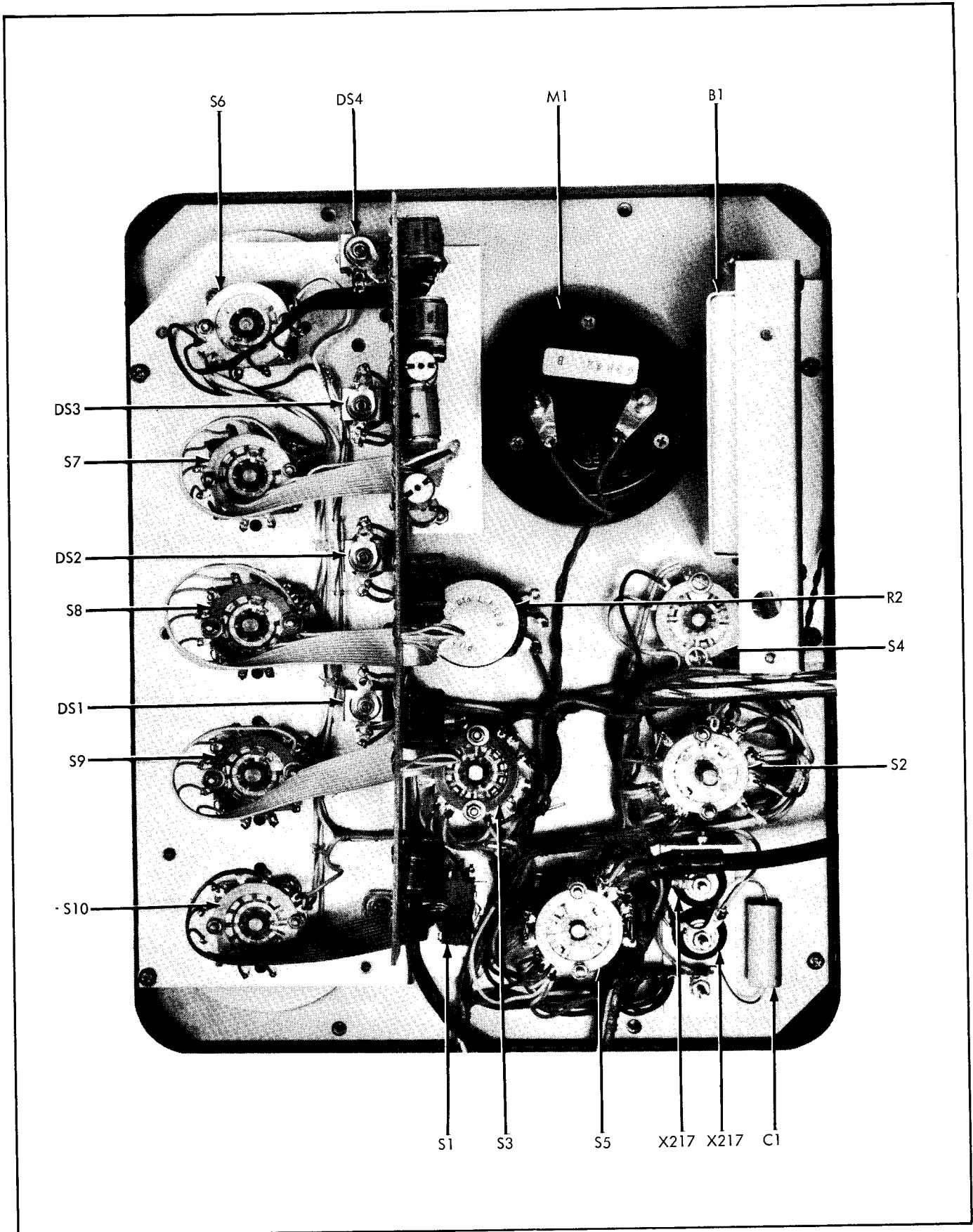


Figure 5-2. FRONT PANEL ASSEMBLY (sheet 2 of 2)

REFERENCE DESIGNATION	DESCRIPTION	FLUKE STOCK NO.	USE CODE
	Reference Supply Printed Circuit Board Assembly without Tubes	*803B-449 *803BR-412	
C101, C102	Capacitor, electrolytic, 20 uf, -10/+100%, 500V	CE52	
C103	Capacitor, electrolytic, 4000 uf, -10/+100%, 15V	CE23	
C104	Capacitor, paper, 0.1 uf, 20%, 400V	CP4	
C105	Capacitor, mylar, 0.033 uf, 20%, 600V	CF19	
C106	Capacitor, mylar, 0.1 uf, 20%, 600V	CF20	
C107	Capacitor, ceramic, 0.01 uf, -20/+80%, 500V	CT18	
CR101 thru CR103	Diode, silicon, 0.750 Amp, 600 PIV	RE18	
CR104, CR105	Diode, silicon, 1 Amp, 50 PIV	RE8	
Q1	Transistor, germanium, NPN, 2N214	2N214	
Q2	Transistor, germanium, PNP, 2N1372	2N1372	
R101	Resistor, composition, 1 Meg, 10%, 1/2W	EB1051	
R102	Resistor, composition, 220K, 10%, 1/2W	EB2241	
R104	Resistor, deposited carbon, 5K, 1%, 1/2W	DR49	
R105	Resistor, deposited carbon, 135K, 1%, 1/2W	DR65	
R106	Resistor, composition, 8.2K, 10%, 1/2W	EB8221	
R107, R108	Resistor, deposited carbon, 50Ω, 1%, 1/2W	DR22	
R109, R110	Resistor, composition, 270K, 10%, 1W	GB2741	
R111	Resistor, composition, 22 Meg, 10%, 1/2W	EB2261	
R112	Resistor, composition, 15 Meg, 10%, 1/2W	EB1561	
R113	Resistor, composition, 10 Meg, 10%, 1/2W	EB1061	
R114	Resistor, composition, 100K, 10%, 1W	GB1041	
R115	Resistor, wirewound, 140K, 3%, 10W	R140KW	
R116	Resistor, composition, 100K, 10%, 1/2W	EB1041	
R117	Resistor, composition, 560K, 10%, 1W	GB5641	
R118	Resistor, composition, 220K, 10%, 1/2W	EB2241	
R119	Resistor, composition, 330Ω, 10%, 1/2W	EB3311	
R120	Resistor, composition, 220K, 10%, 1W	GB2241	
R121	Resistor, variable wirewound, 5K, 20%, 1-1/4W	P5KM	
R122	Resistor, composition, 560K, 10%, 1W	GB5641	
R123	Resistor, wirewound, 386K, 0.5%, 1W	PR641	
R124	Resistor, wirewound, 76K, 0.5%, 1/2W	PR59	
R125	Resistor, composition, 82K, 10%, 1/2W	EB8231	
V101	Vacuum tube, pentode, EL84/6BQ5	EB84/6BQ5	
V102	Vacuum tube, voltage reference, OG3	OG3-2	

REFERENCE DESIGNATION	DESCRIPTION	FLUKE STOCK NO.	USE CODE
V103	Lamp, neon glow, NE2E	X40B	
V104	Vacuum tube, duo triode, 12AX7	12AX7-1	
V105	Vacuum tube, duo triode, 12AX7	12AX7-1	

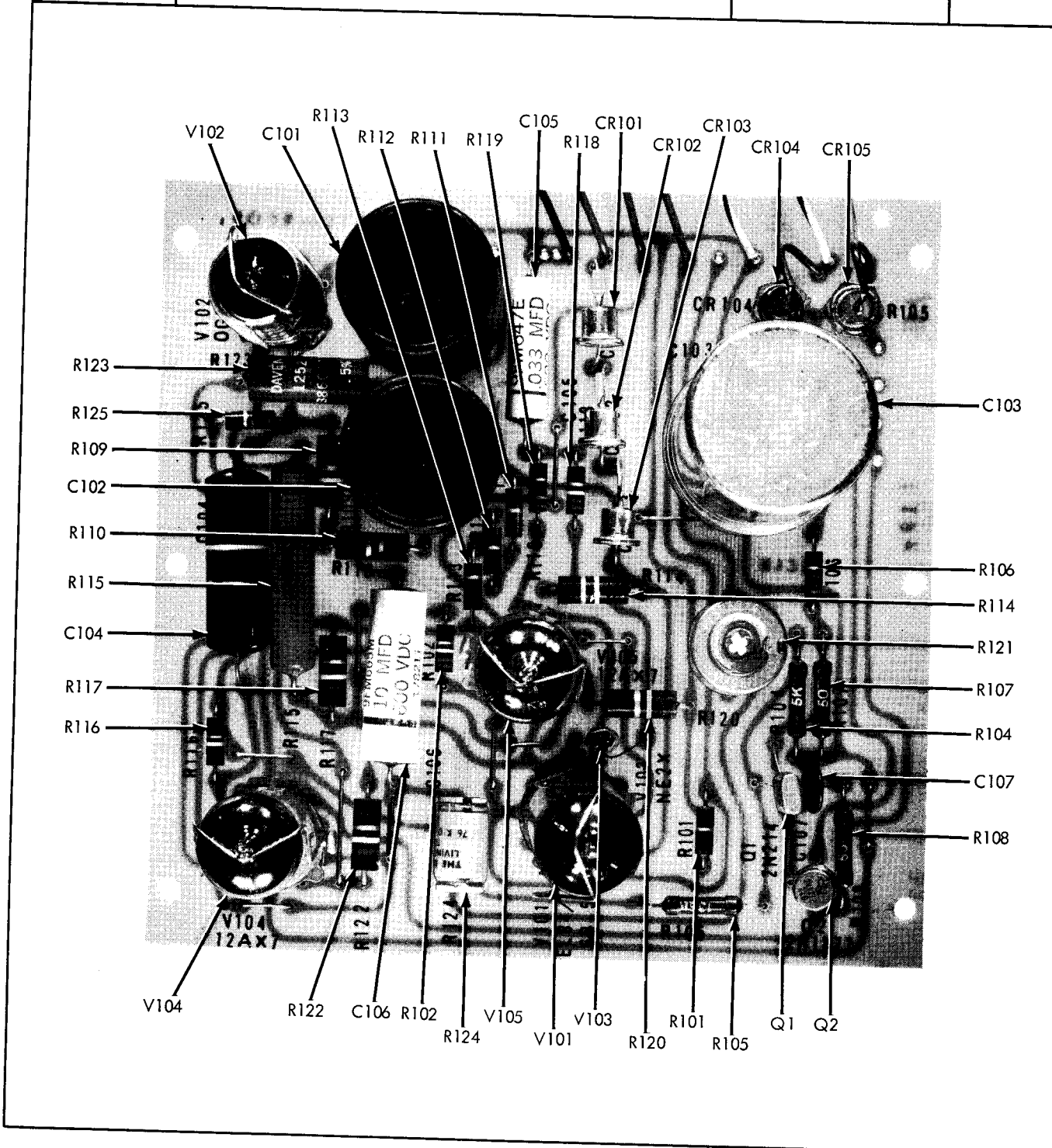


Figure 5-3. REFERENCE SUPPLY PCB ASSEMBLY

REFERENCE DESIGNATION	DESCRIPTION	FLUKE STOCK NO.	USE CODE
	Null Detector Printed Circuit Board Assembly	*803B-436	
C201, C202	Capacitor, mylar, 0.1 uf, 20%, 200V	CF46	
C203	Capacitor, mylar, 0.047 uf, 20%, 100V	CF47	
C204	Capacitor, mylar, 0.47 uf, 20%, 200V	CF48	
C205	Capacitor, electrolytic, 40 uf, -10/+100%, 6V	CE32	
C206	Capacitor, ceramic, 0.001 uf, 20%, 3000V	CT16	
C207	Capacitor, electrolytic, 10 uf, -10/+100%, 150V	CE67	
C208	Capacitor, mylar, 0.1 uf, 20%, 200V	CF46	
C209	Capacitor, mylar, 0.47 uf, 20%, 200V	CF48	
C210	Capacitor, mylar, 0.1 uf, 20%, 200V	CF46	
C211	Capacitor, mylar, 1 uf, 20%, 200V	CF50	
C212	Capacitor, electrolytic, 200 uf, -10/+100%, 6V	CE30	
C213	Capacitor, ceramic, 3.3 uuf, 15%, 1000V	CT10	
C214A, C214B	Capacitor, dual electrolytic, 20/20 uf, -10/+50%, 450V	CE72	
C215	Capacitor, electrolytic, 15 uf, -10/+150%, 6V	CE36	
CR201	Diode, silicon 0.75 Amp, 600 PIV	RE18	
CR202, CR203	Diode, silicon, 300 ma, 400 PIV	2E4	
G1	Chopper, electronic, 60 cycle, SPDT	X2045	
R201 thru R203	Resistor, composition, 1 Meg, 10%, 1/2W	EB1051	
R204	Resistor, composition, 3.9 Meg, 10%, 1/2W	EB3951	
R205	Resistor, composition, 2.7 Meg, 10%, 1/2W	EB2751	
R206	Resistor, composition, 470K, 10%, 1/2W	EB4741	
R207	Resistor, composition, 4.7K, 10%, 1/2W	EB4721	
R208	Resistor, composition, 10K, 10%, 1/2W	EB1031	
R209, R210	Resistor, composition, 1 Meg, 10%, 1/2W	EB1051	
R211	Resistor, composition, 330K, 10%, 1/2W	EB3341	
R212	Resistor, composition, 180K, 10%, 1/2W	EB1841	

REFERENCE DESIGNATION	DESCRIPTION	FLUKE STOCK NO.	USE CODE
R213	Resistor, composition, 1K, 10%, 1/2W	EB1021	
R214	Resistor, composition, 1 Meg, 10%, 1/2W	EB1051	
R215	Resistor, composition, 27K, 10%, 1/2W	EB2731	
R216	Resistor, composition, 560 Ω , 10%, 1/2W	EB5611	
R217	Resistor, composition, 100 Ω , 10%, 1/2W	EB1011	
R218	Resistor, deposited carbon, 93.1 Ω , 1%, 1/2W	DR822	
R219	Resistor, variable wirewound, 10 Ω , 20%, 1-1/4W	P10	
R220, R221	Resistor, composition, 3.3K, 10%, 1/2W	EB3321	
R222, R223	Resistor, composition, 47K, 10%, 2W	HB4731	
R224	Resistor, composition, 2.7 Ω , 10%, 1/2W	EB27G1	
R225, R226	Resistor, composition, 1K, 10%, 1/2W	EB1021	
R227	Resistor, variable, wirewound, 5K, 20%, 1-1/4W	P5KM	
R228, R229	Resistor, composition, 2.7K, 10%, 2W	HB2721	
R230	Resistor, composition, 1K, 10%, 1/2W	EB1021	
V201	Lamp, neon glow, type NE2X	X40A	
V202	Vacuum tube, pentode, EF86/6267	EF86/6267	
V203	Vacuum tube, triode-pentode, 6AW8	6AW8	
V204	Vacuum tube, voltage reference, OA2	OA2	

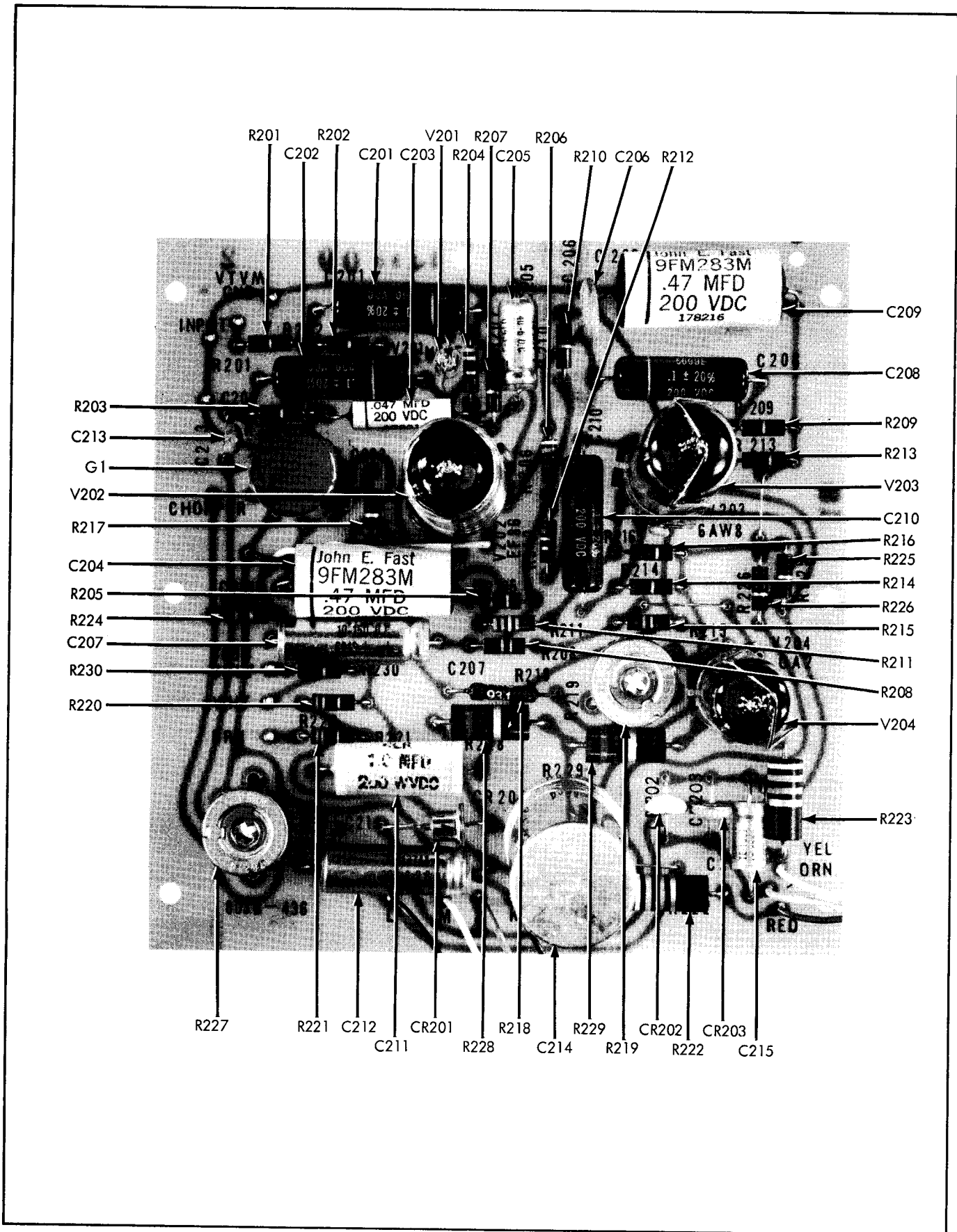


Figure 5-4. NULL DETECTOR PCB ASSEMBLY

REFERENCE DESIGNATION	DESCRIPTION	FLUKE STOCK NO.	USE CODE
	Range Resistor Printed Circuit Board Assembly	*803B-404 *803BR-411 *803B/AG-404 *803BR/AG-411	
C301	Capacitor, mylar, 1 uf, 20%, 600V	CP33	
C302	Capacitor, mylar, 2 uf, 20%, 200V	CF51	
CR301	Zener diode (803B/AG and 803BR/AG. If replacement is required, it will be necessary to replace both CR301 and R319 with Zener resistor pair 801B/G-410. In some cases, it may also be necessary to replace R3. This will be determined at the factory.)		
R301 thru R304	Resistor, deposited carbon, 10 Meg, 1%, 1W	DR80	
R305	Resistor, deposited carbon, 9 Meg, 1%, 1W	DR78	
R306	Resistor, deposited carbon, 900K, 1%, 1/2W	DR622	
R307	Resistor, deposited carbon, 90K, 1%, 1/2W	DR513	
R308	Resistor, deposited carbon, 9K, 1%, 1/2W	DR412	
R309	Resistor, deposited carbon, 900 Ω , 1%, 1/2W	DR824	
R310	Resistor, deposited carbon, 100 Ω , 1%, 1/2W	DR35	
R311 thru R315	Resistor, composition, 22 Meg, 10%, 1/2W	EB2261	
R316, R317	Resistor, wirewound, 125K, 0.1%, 1W	PR610	
R318	Resistor, variable wirewound, 1K, 20%, 1-1/4W (803B and 803BR)	P1KM	
	Resistor, variable wirewound, 3K, 20%, 1-1/4W (803B/AG and 803BR/AG)	P3KM	
R319	Resistor, wirewound, 511.7 Ω , 0.1%, 1/2W (803B and 803BR)	PR643	
	Resistor, wirewound (803B/AG and 803BR/AG. Optimum value is selected at factory to match Zener diode. When ordering, include date and serial number listed on Range Resistor Printed Circuit Board decal.)		
R320, R321	Resistor, wirewound, 112.375K, 0.05%, 1W	PR615	
R322	Resistor, composition, 27K, 10%, 1W	GB2731	
R323	Resistor, variable, 500 Ω , 10%, 1-1/4W	P500M	
R324	Resistor, wirewound, 28.571K, 0.05%, 1/2W	PR515	
R325	Resistor, wirewound, 22.5K, 0.1%, 1/2W	PR513	
R326	Resistor, variable, 500 Ω , 10%, 1-1/4W	P500M	
R327	Resistor, wirewound, 2531.7 Ω , 0.05%, 1/2W	PR49	
R328	Resistor, wirewound, 24.75K, 0.1%, 1/2W	PR514	
R329	Resistor, variable, 500 Ω , 10%, 1-1/4W	P500M	
R330	Resistor, wirewound, 250.31 Ω , 0.05%, 1/2W	PR311	
R331	Resistor, composition, 270 Ω , 10%, 1/2W	EB2711	

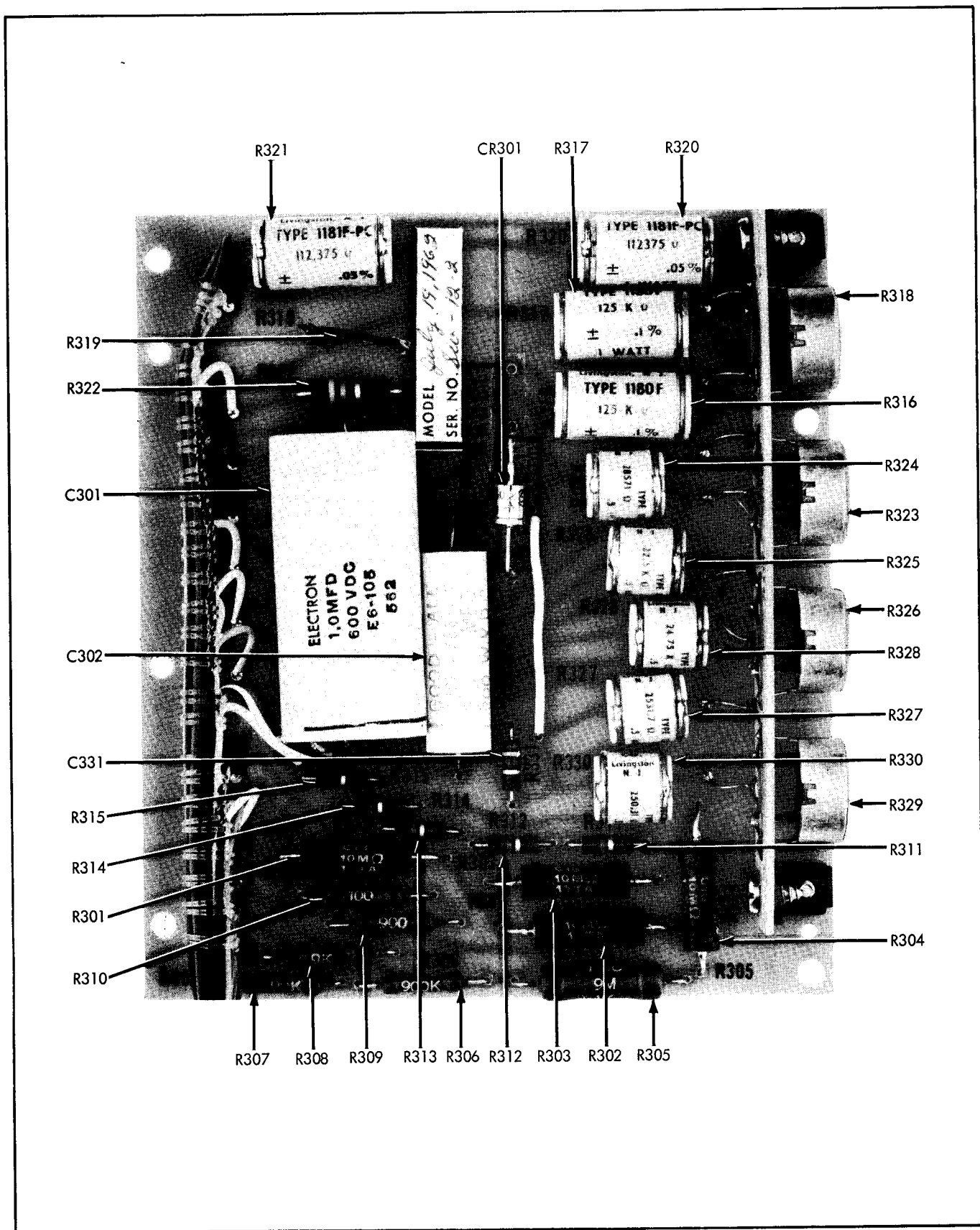


Figure 5-5. RANGE RESISTOR PCB ASSEMBLY

REFERENCE DESIGNATION	DESCRIPTION	FLUKE STOCK NO.	USE CODE
R401 thru R406**	Kelvin Varley Resistor PCB Assembly Resistor, wirewound 40 K, 0.02%, 1/2W	*801B-403 *PR512	
R407 thru R417**	Resistor, wirewound 8 K, 0.02%, 1/2W	*PR48	
R418 thru R428**	Resistor, wirewound 1.6 K, 0.1%, 1/2W	*PR46	
R429 thru R439	Resistor, wirewound 320 Ω , 0.1%, 1/2W	*PR39	
R440 thru R449	Resistor, wirewound 64 Ω , 0.1%, 1/2W	*PR24	
	**These resistors are factory matched for each instrument. When ordering, specify instrument serial number.		

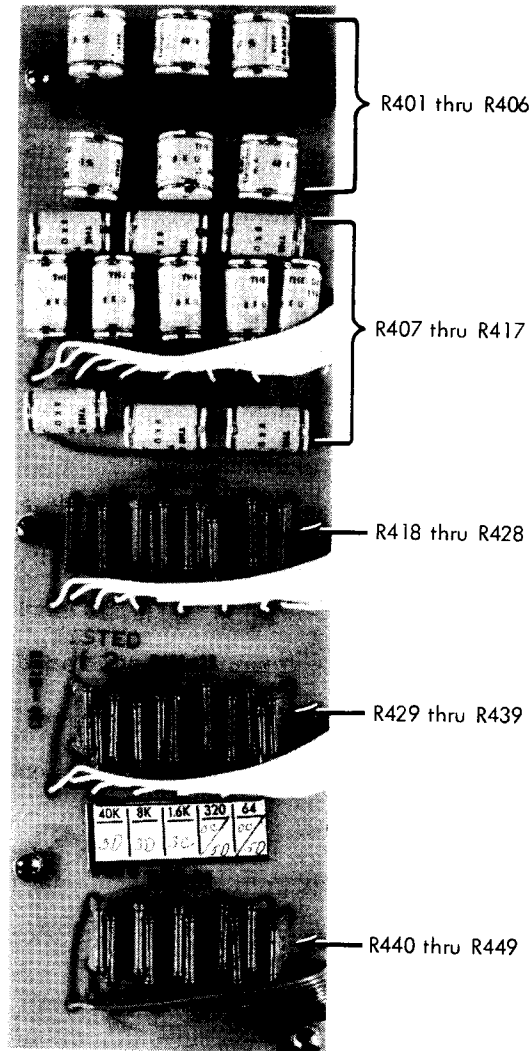


Figure 5-6. KELVIN-VARLEY RESISTOR PCB ASSEMBLY

REFERENCE DESIGNATION	DESCRIPTION	FLUKE STOCK NO.	USE CODE
CR501, CR502	Converter/AC Range Switch Assembly	*803B-438	
	Converter Assembly	*803B-439	
	AC Range Switch Assembly	*803B-440	
	Diode, silicon, 60 ma, 40 PIV	RE7	
	Converter Assembly	*803B-439	
C505AB	Capacitor, electrolytic, 10-10 uf, -10/+50%, 500V	CE20	
C506	Capacitor, ceramic, 0.005 uf, 20%, 500V	CT17	
C507	Capacitor, ceramic, 300 uuf, 10%, 500V	CT28	
C508	Capacitor, mylar, 0.47 uf, 20%, 200V	CF48	
C509	Capacitor, mylar, 0.0068 uf, 20%, 400V	CF53	
C510	Capacitor, ceramic, 0.001 uf, 20%, 3000V	CT16	
C511	Capacitor, mylar, 0.47 uf, 20%, 200V	CF48	
C512	Capacitor, paper, 0.1 uf, 20%, 400V	CP4	
C513	Capacitor, electrolytic, 20 uf, -10/+100%, 50V	CE41	
C514	Capacitor, ceramic, 2.2 uf, -0%, 3V	CT45	
C515	Capacitor, mylar, 2 uf, 20%, 200V	CF51	
C516	Capacitor, paper, 1 uf, 20%, 600V	CP33	
C517	Capacitor, mylar, 5 uf, 20%, 200V	CP36	
C518	Capacitor, mylar, 2 uf, 20%, 200V	CF51	
C522	Capacitor, electrolytic, 500 uf, -10/+100%, 3V	CE61	
CR503	Diode, silicon, 300 ma, 400 PIV	2E4	
R506, R507	Resistor, metal film, 68K, 5%, 2W	MR45	
R508	Resistor, metal film, 56K, 5%, 2W	MR44	
R509	Resistor, metal film, 100K, 5%, 5W	MR43	
R510, R511	Resistor, composition, 3.3K, 10%, 1/2W	EB3321	
R512	Resistor, composition, 220 Ω , 10%, 1/2W	EB2211	
R513	Resistor, composition, 270 Ω , 10%, 1/2W	EB2711	
R514	Resistor, composition, 1.8 Meg, 10%, 1/2W	EB1851	
R515	Resistor, composition, 2.2 Meg, 10%, 1/2W	EB2251	
R516	Resistor, composition, 15 Meg, 10%, 1/2W	EB1561	
R517	Resistor, composition, 18 Meg, 10%, 1/2W	EB1861	
R518	Resistor, composition, 1.8 Meg, 10%, 1/2W	EB1851	

REFERENCE DESIGNATION	DESCRIPTION	FLUKE STOCK NO.	USE CODE
R519	Resistor, composition, 47 Ω , 10%, 1/2W	EB4701	
R520	Resistor, metal film, 120K, 5%, 2W	MR46	
R521	Resistor, composition, 180 Ω , 10%, 1/2W	EB1811	
R522	Resistor, composition, 10K, 10%, 1/2W	EB1031	
R523	Resistor, composition, 390 Ω , 10%, 1/2W	EB3911	
R524	Resistor, composition, 330K, 10%, 1/2W	EB3341	
R525	Resistor, composition, 470K, 10%, 1/2W	EB4741	
R526	Resistor, composition, 220K, 10%, 1/2W	EB2241	
R527	Resistor, composition, 47 Ω , 10%, 1/2W	EB4701	
R528	Resistor, metal film, 150K, 5%, 2W	MR47	
R529	Resistor, composition, 100K, 10%, 1W	GB1041	
R530	Resistor, metal film, 47K, 5%, 5W	MR42	
R531	Resistor, composition, 220 Ω , 10%, 1/2W	EB2211	
R532	Resistor, composition, 470K, 10%, 1/2W	EB4741	
R536	Resistor, variable, wirewound, 500 Ω , 10%, 1-1/4W	P500M	
R537	Resistor, deposited carbon, 100K, 1%, 1/2W	DR61	
R538	Resistor, wirewound, 21.6K, 0.1%, 1/2W (This is an average value, Optimum value is selected at factory.)	PR681	A
	Resistor, wirewound, 21.28K, 0.1%, 1/2W	PR704	B
R539	Resistor, wirewound, 490 Ω , 0.1%, 1/2W	PRA18	
V501	Vacuum tube, pentode, 6EJ7	6EJ7	
V502	Vacuum tube, triode-pentode, 6AW8	6AW8	
	AC Range Switch Gain Adjust Assembly	*803B-440-1	
R503	Resistor, variable, wirewound, 5K, 20%, 1-1/4W	P5KM	A
R503	Resistor, variable, wirewound, 6K, 5%, 1-1/4W	P6K	B
R534	Resistor, variable, wirewound, 300 Ω , 20%, 1-1/4W	P300B	
	AC Range Switch Attenuator Assembly	*803B-440-2	
C501	Capacitor, variable, air, 0.8 to 4.5 uuf, 500V	CA4	
C502	Capacitor, ceramic, 20 uuf, 2%, 600V	CT14	
C503	Capacitor, mylar, 0.18 uf, 10%, 600V	CF55	
C523	Capacitor, variable, air, 0.8 to 4.5 uuf, 500V	CA4	
C524	Capacitor, ceramic, 300 uuf, 5%, 600V	CT13	
C525	Capacitor, ceramic, 82 uuf, 2%, 600V	CT36	
R501	Resistor, metal film, 1 Meg, 1%, 1/2W	MR48	
R502	Resistor, metal film, 122K, 1%, 1/2W	MR54	
R533	Resistor, metal film, 500K, 1%, 1/2W	MR50	

REFERENCE DESIGNATION	DESCRIPTION	FLUKE STOCK NO.	USE CODE
R535	Resistor, wirewound, 10.05K, 0.1%, 1/2W	PRA21	
R543	Resistor, metal film, 500K, 1%, 1/2W	MR50	
R544	Resistor, composition, 390K, 10%, 1/2W	EB3941	
	AC Range Switch Gain Network Assembly	*803B-440-3	
C504, C519	Capacitor, variable, air, 0.8 to 4.5 uuf, 500V	CA4	
C520	Capacitor, ceramic, 3.3 uuf, 20%, 600V	CT55	
C521	Capacitor, ceramic, 82 uuf, 2%, 600V	CT36	
R504	Resistor, metal film, 1 Meg, 0.5%, 1/2W	MR53	
R505	Resistor, composition, 47 Ω , 10%, 1/2W	EB4701	
R540	Resistor, metal film, 500K, 0.5%, 1/2W	MR52	
R541	Resistor, variable, wirewound, 1K, 10%, 1/4W Resistor, variable, wirewound, 2K, 10%, 1/4W	P1KC P2KTA	A B
R542	Resistor, metal film, 48.75K, 1%, 1/2W	MR63	
	AC Range Switch Assembly	*803B-440-4	
S2	Switch, range, AC section	*803B-824	

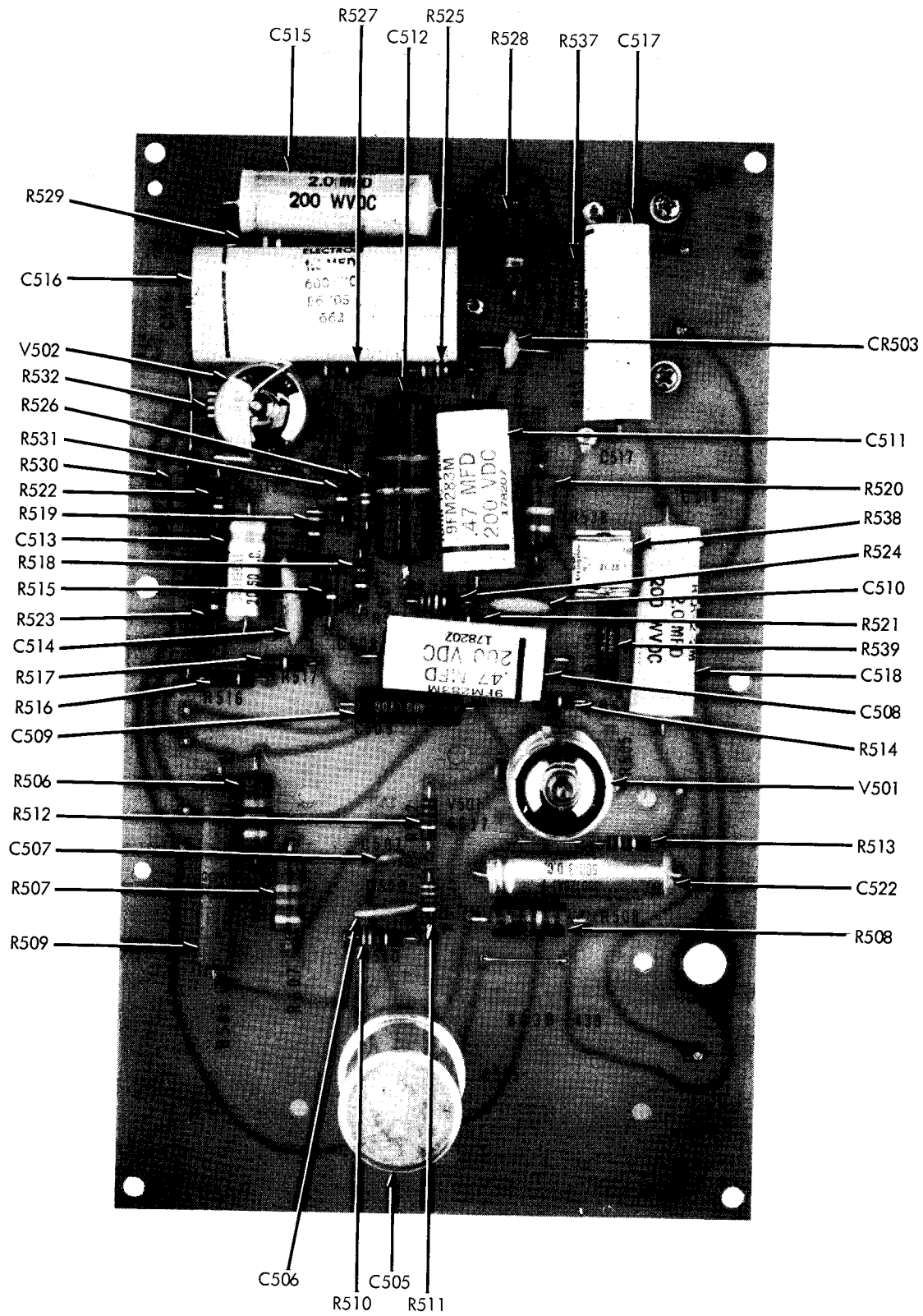


Figure 5-7. CONVERTER/AC RANGE SWITCH ASSEMBLY (sheet 1 of 2)

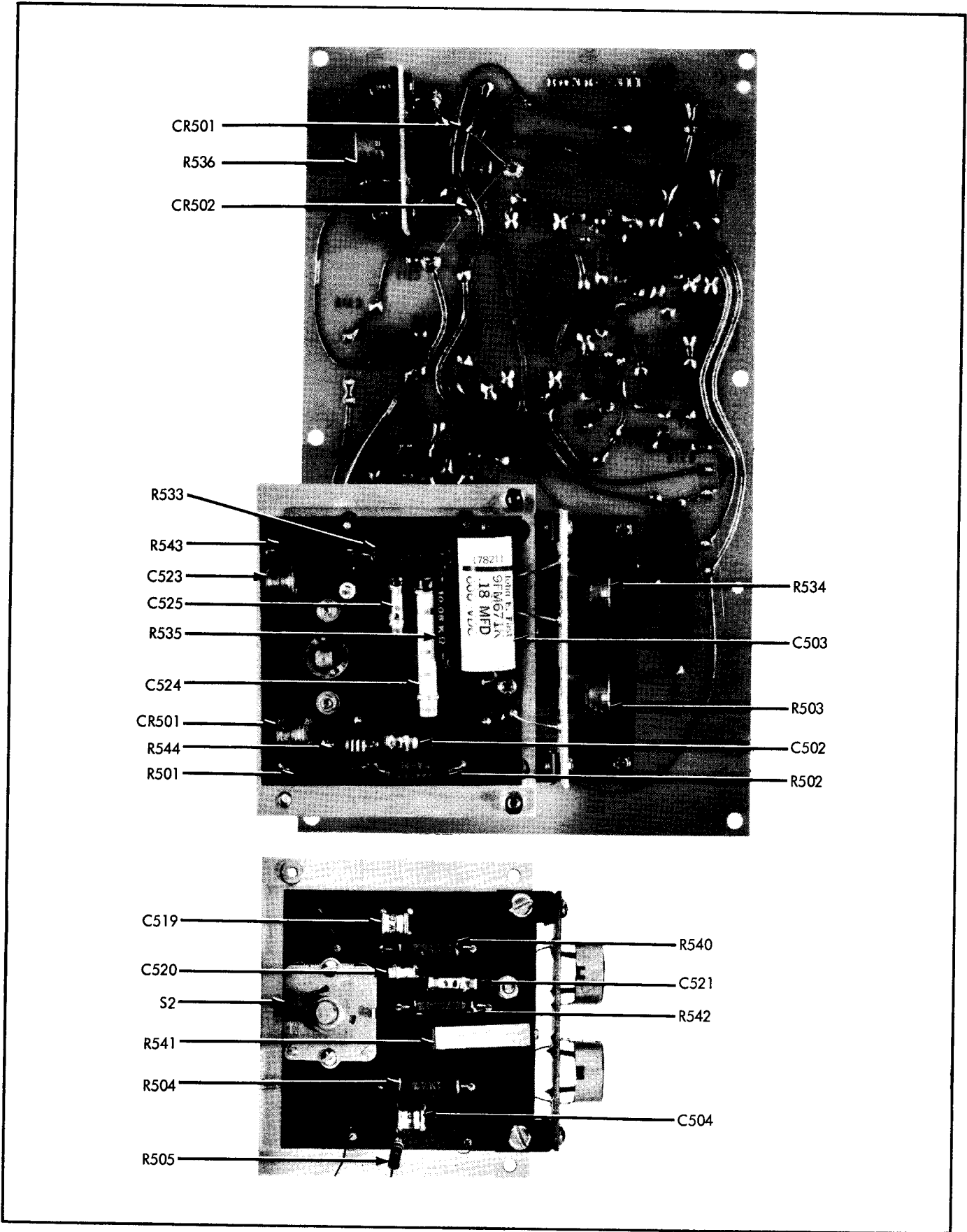
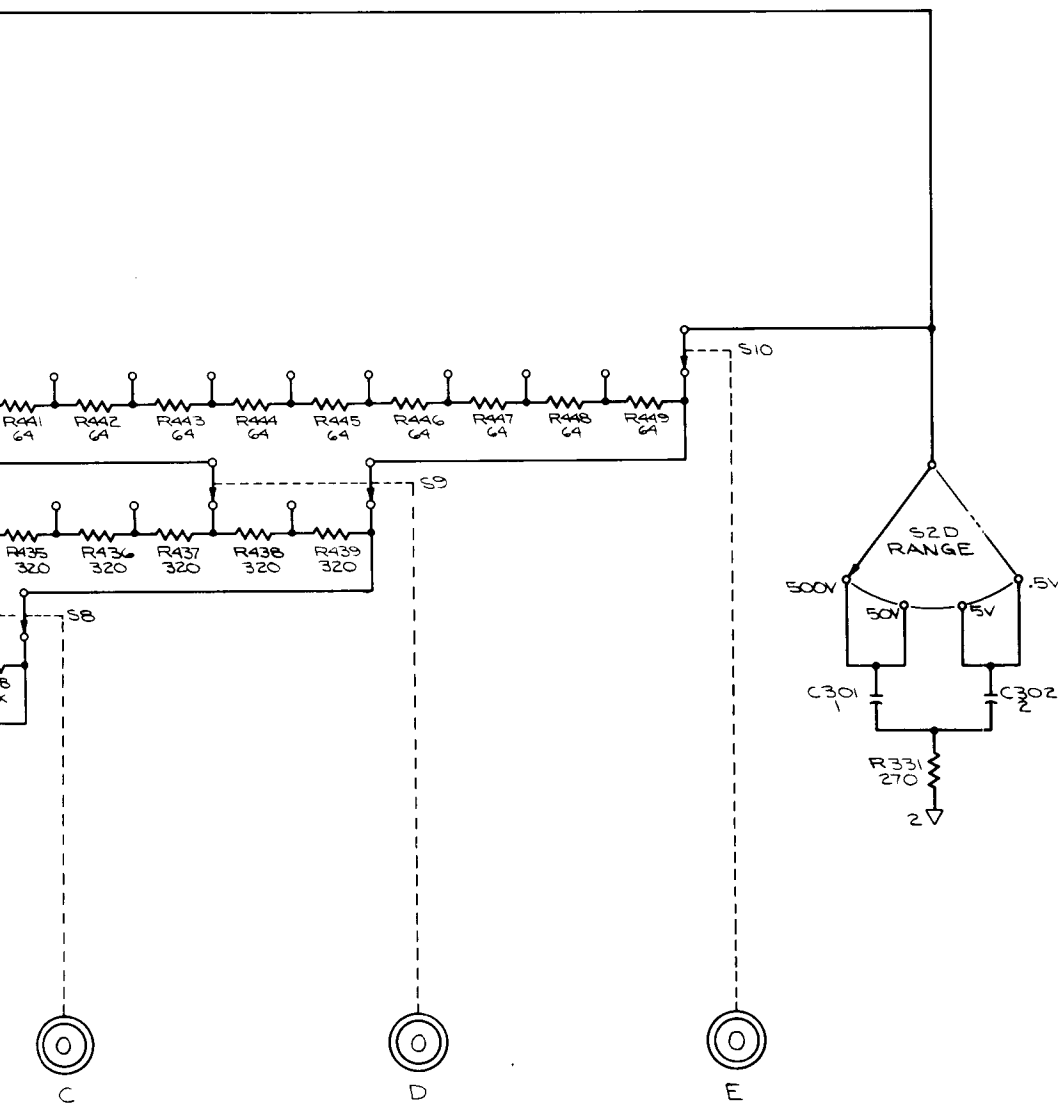
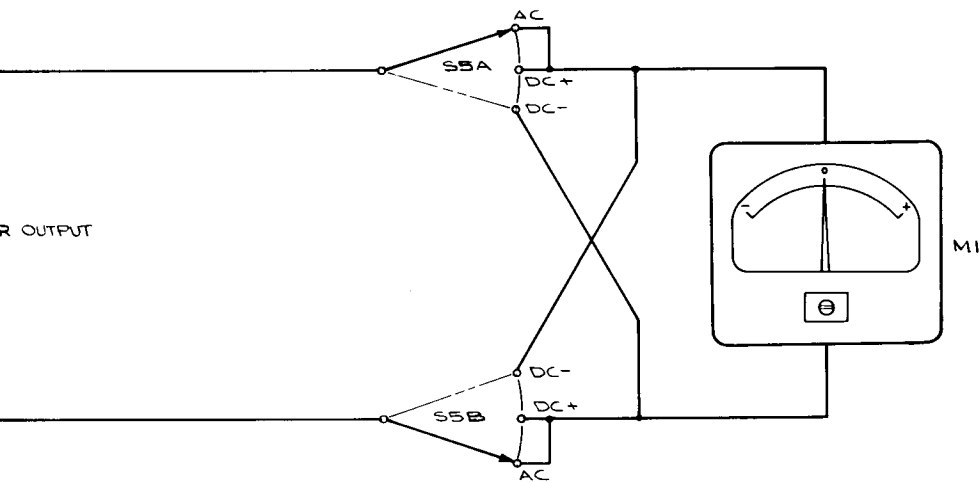


Figure 5-7. CONVERTER/AC RANGE SWITCH ASSEMBLY (sheet 2 of 2)

USE CODE EFFECTIVITY

The following list of use codes is intended to allow the customer to determine the effectivity of all replaceable parts. All parts with no code are used on all instruments with serial numbers above 123. New codes will be added as necessary on forthcoming instruments.

USE CODE	EFFECTIVITY
No Code	Model 803B serial number 123 and on Model 803BR serial number 123 and on Model 803B/AG serial number 123 and on Model 803BR/AG serial number 123 and on
A	Model 803B serial number 123 thru 731 Model 803BR serial number 123 thru 306 Model 803B/AG serial number 123 thru 731 Model 803BR/AG serial number 123 thru 306
B	Model 803B serial number 732 and on Model 803BR serial number 307 and on Model 803B/AG serial number 732 and on Model 803BR/AG serial number 307 and on



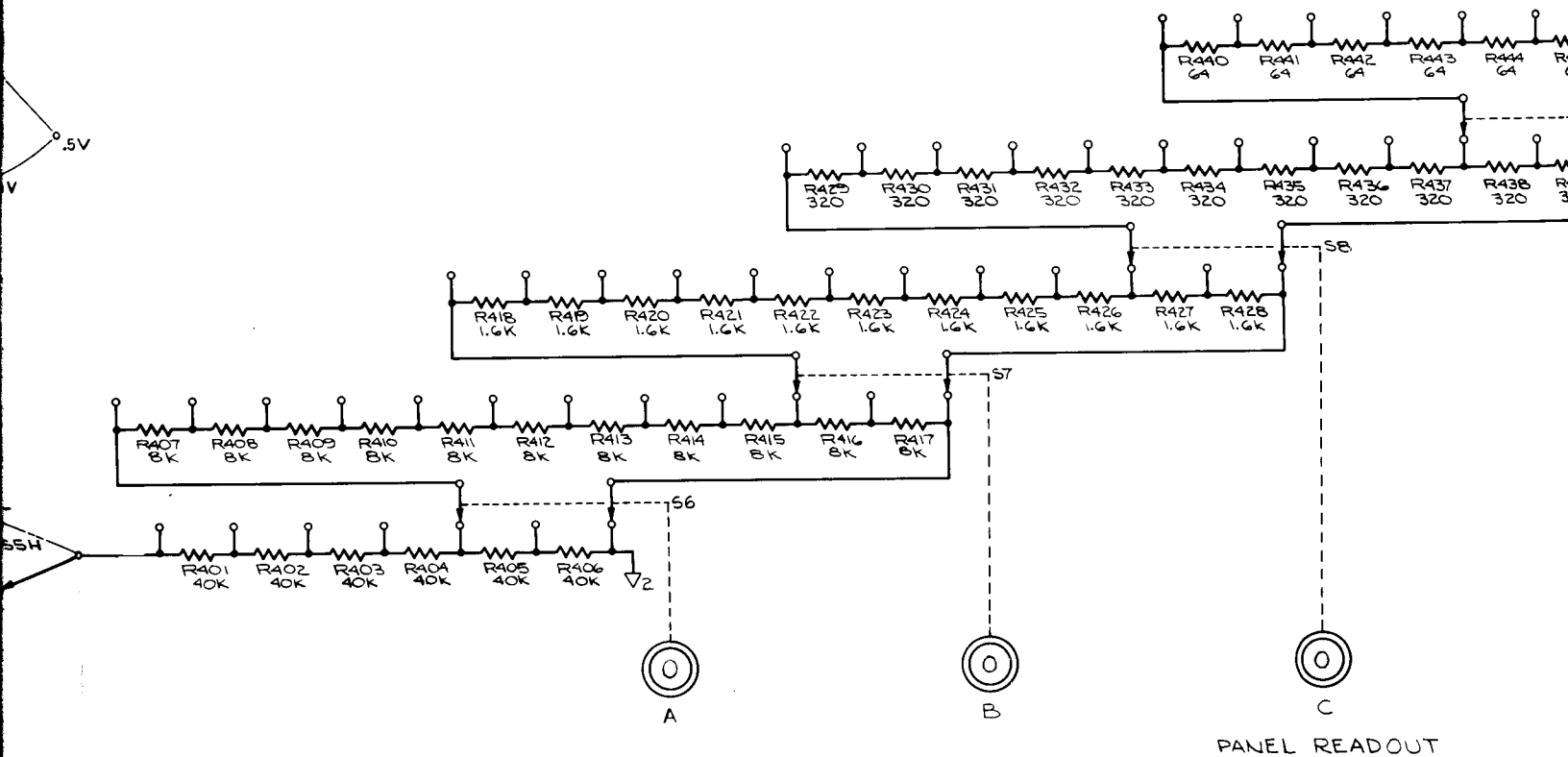
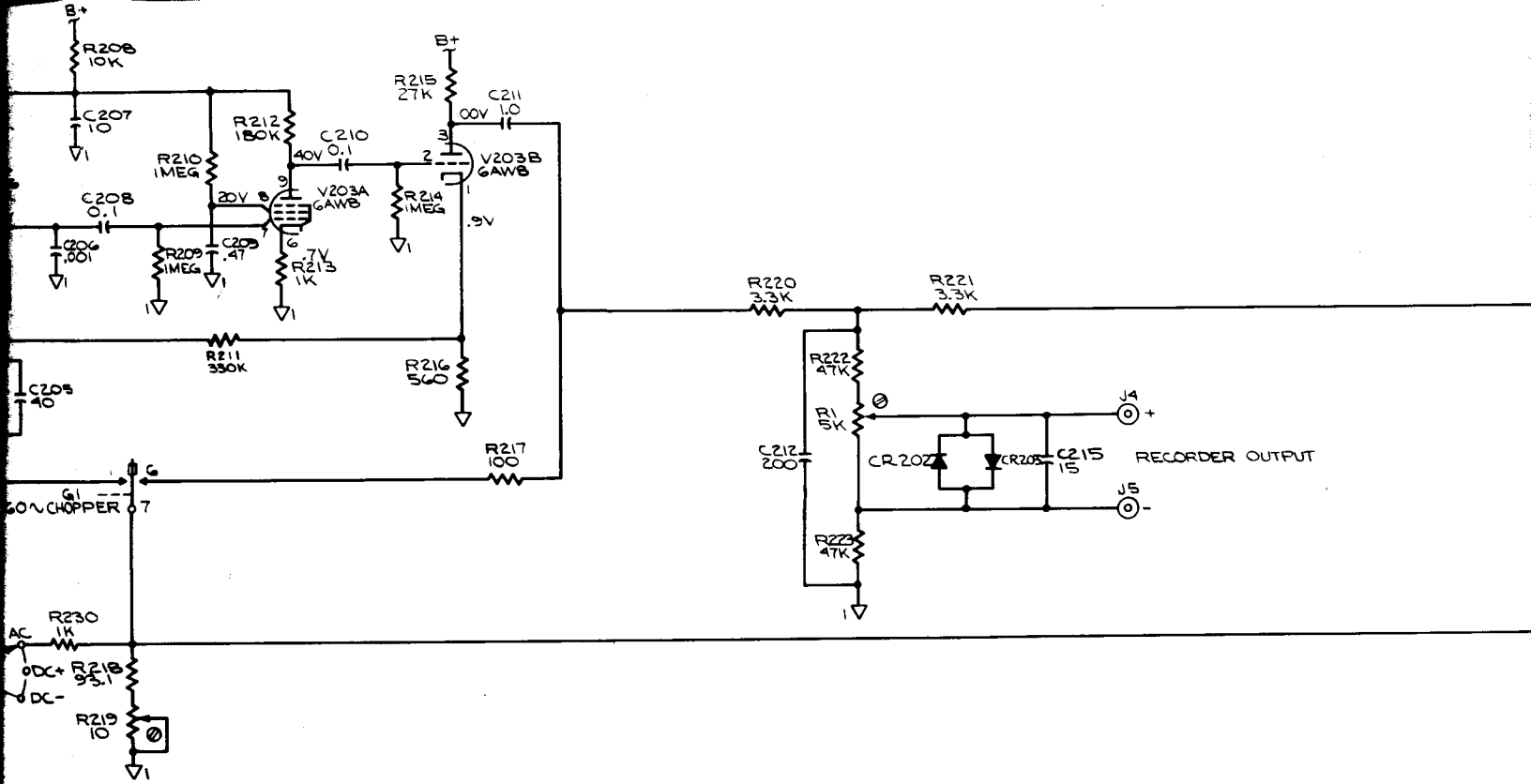
MODEL READOUT

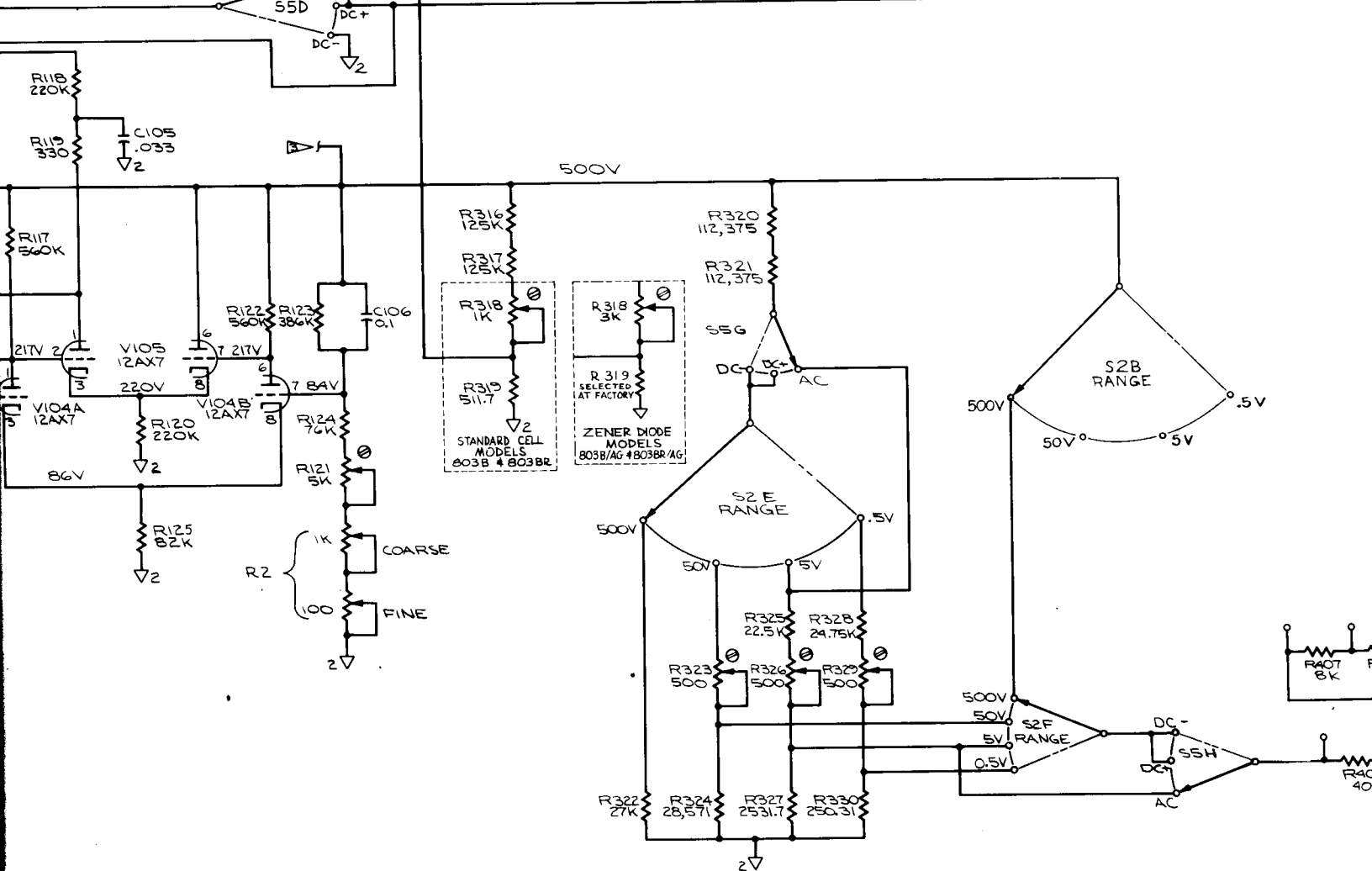
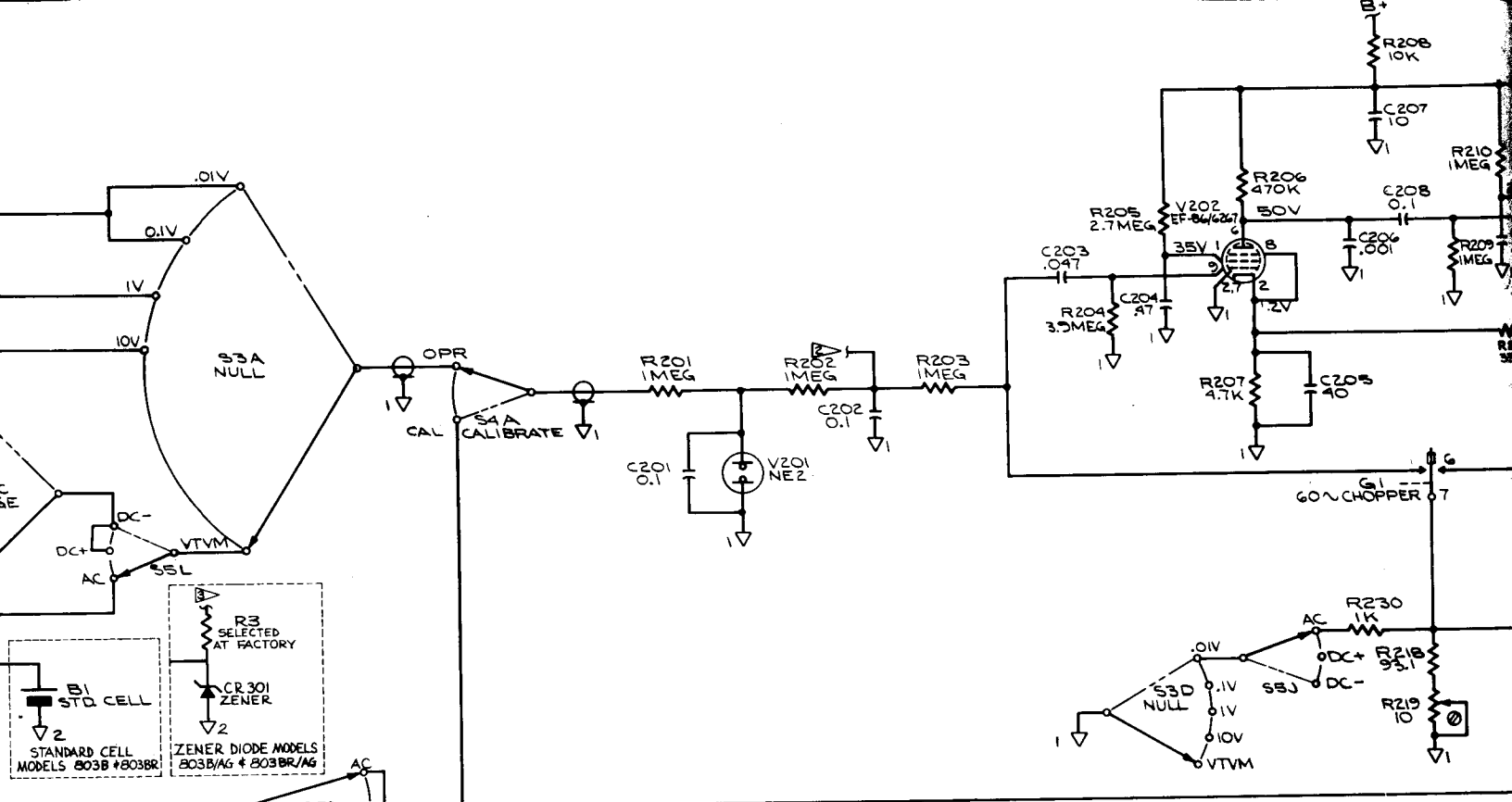
NOTES

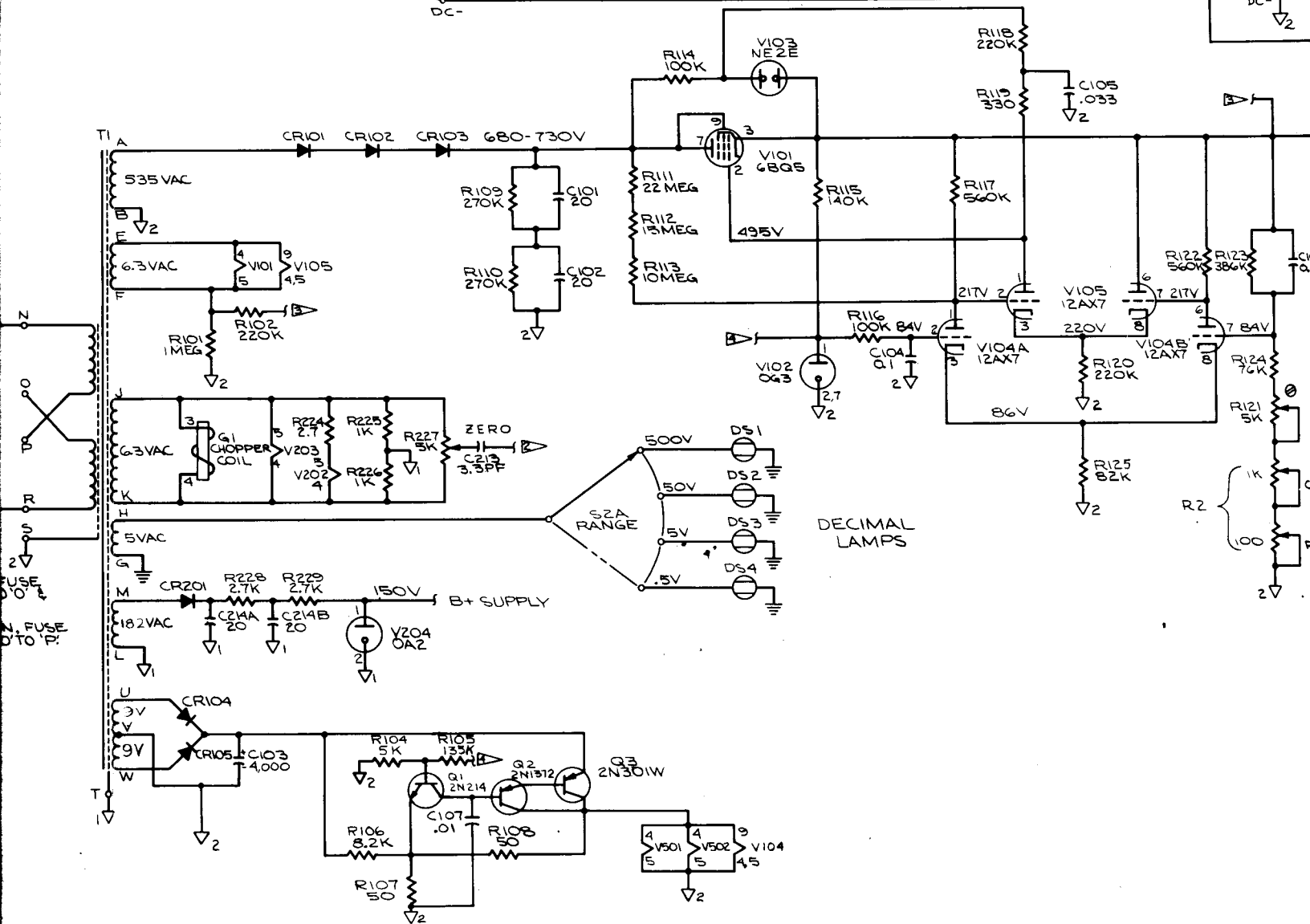
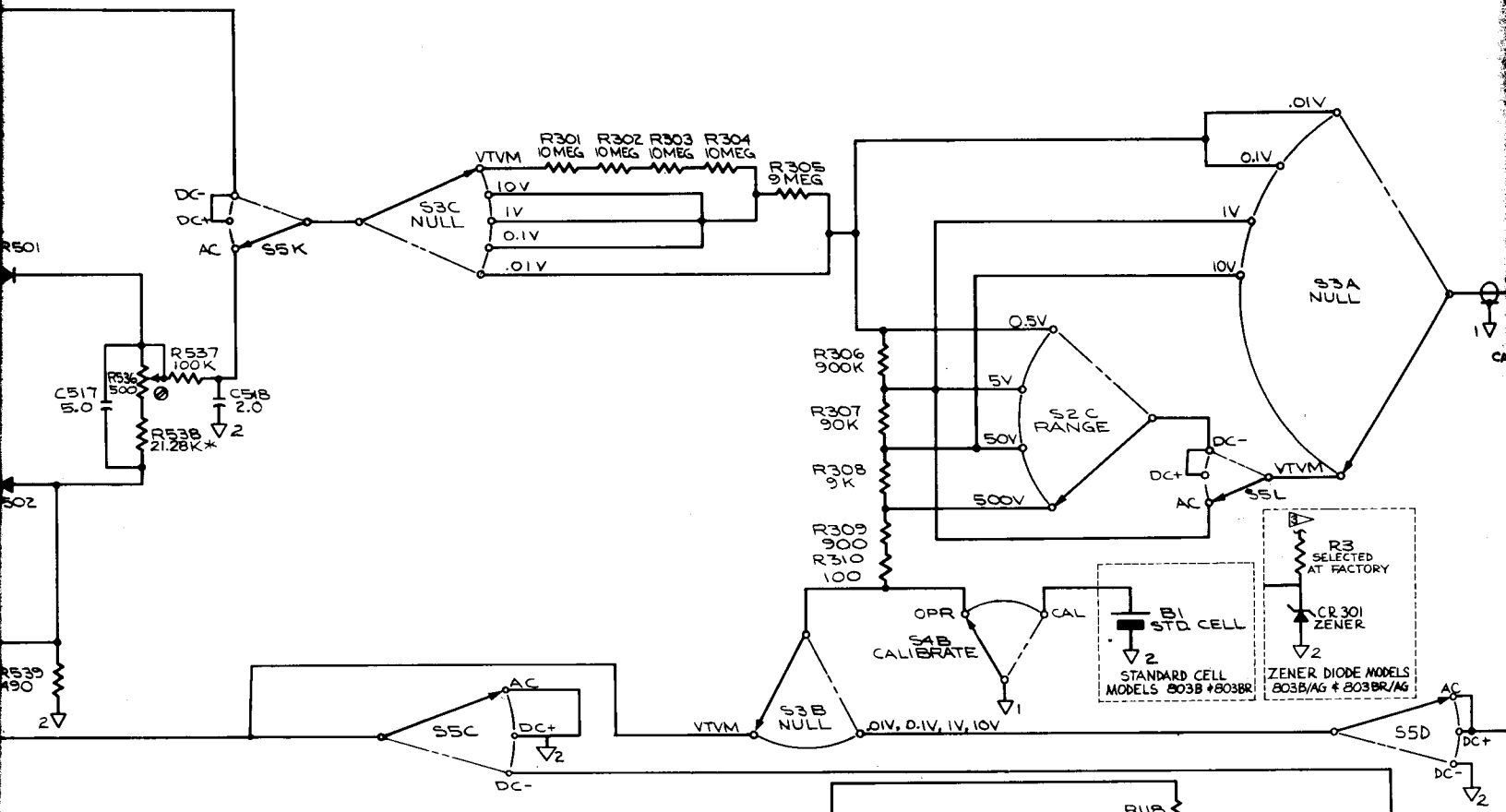
1. All voltage measurements shown are taken under the following conditions:
 - (a) RANGE switch set to 500.
 - (b) NULL switch set to VTVM.
 - (c) All voltage readout dials set to zero.
 - (d) AC-DC polarity switch set to .
 - (e) Line voltage at 115/230 volts, 50-60 cycles.
 - (f) All measurements made with a VTVM (10 megohms input resistance) to the negative binding post.
2. All voltages are DC unless otherwise indicated.
3. ∇_1 Indicates null detector common.
4. ∇_2 Indicates reference supply and converter common.
5. ∇_1 and ∇_2 may differ in voltage by amount indicated on voltage readout dials.
6. \triangle All flagnotes with the same number are connected.
7. \odot Indicates internal adjustment.
8. Unless otherwise indicated, resistances are in ohms and capacitances are in microfarads.
9. On some Null Detector Printed Circuit Boards, C215, CR202, and CR203 have been designated as C2, CR1, and CR2.

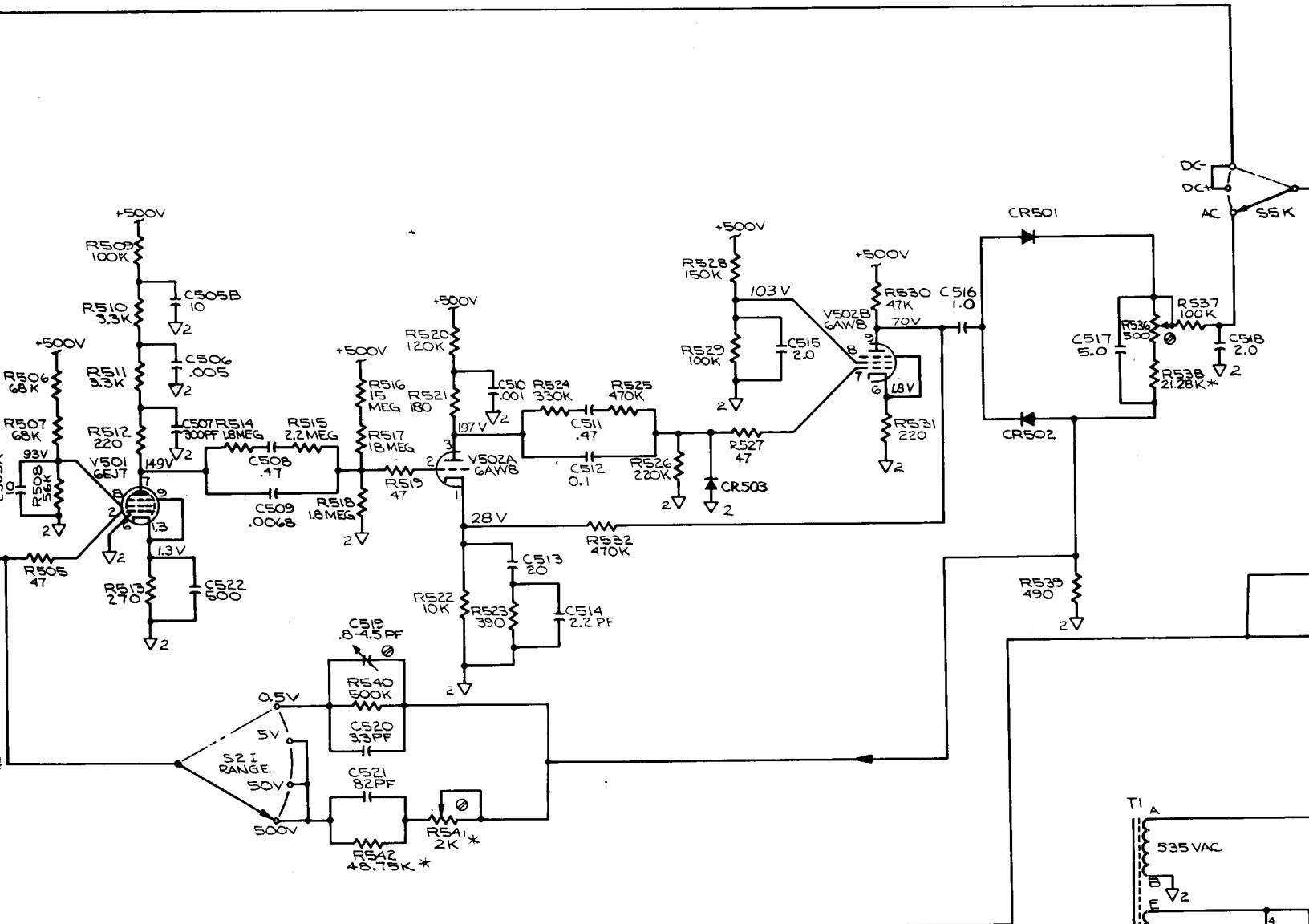
803 B \neq 803B/AG SER 12345 \neq ON
 803 BR \neq 803 BR/AG SER 67890 \neq ON

FUNCTIONAL SCHEMATIC
DIFFERENTIAL VOLTMETER
MODEL
803B, 803 BR, 803B/AG, \neq 803BR/AG
JOHN FLUKE MANUFACTURING COMPANY MOUNTLAKE TERRACE, WASHINGTON





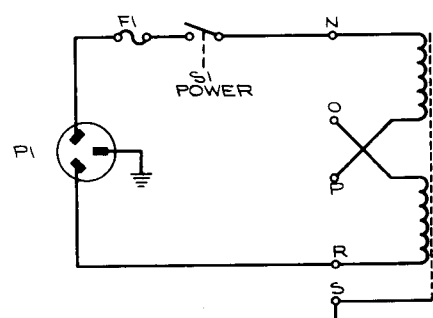
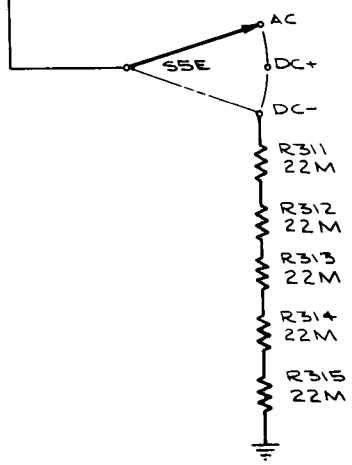




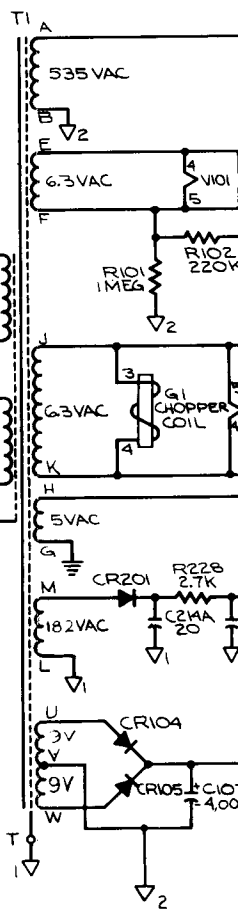
R 123 TO 731
 ER 123 TO 306

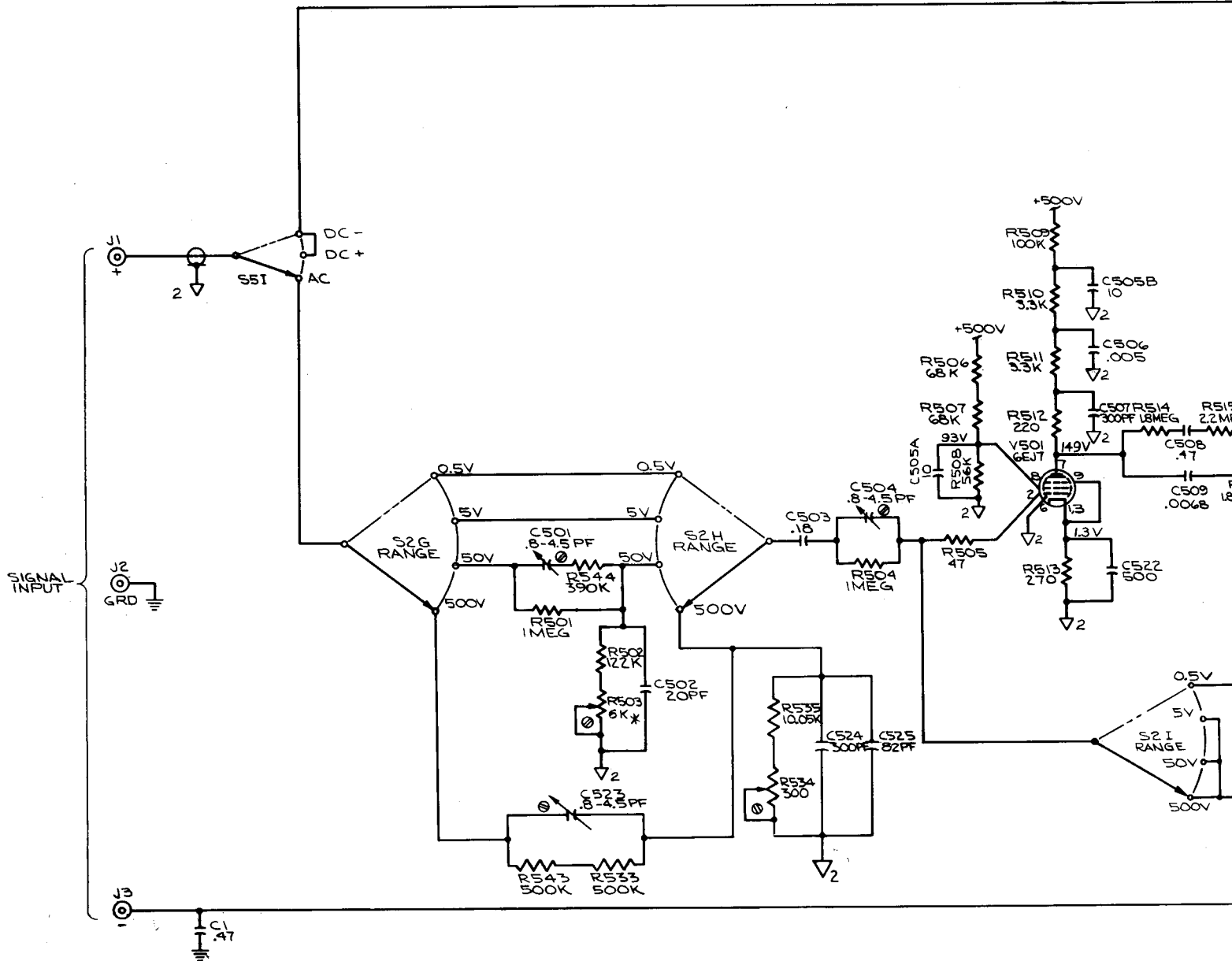
ATED

ED FOR A MINIMUM OF 48.8 K



FOR 115V OPERATION, FUSE WITH 1.5A CONNECT 'N' TO 'O' & 'P' TO 'Z'.
 FOR 230V OPERATION, FUSE WITH .75A CONNECT 'O' TO 'P'.





* FOR 803B & 803B/AG SER 123 TO 731
 803BR & 803BR/AG SER 123 TO 306

R 503 WAS 5K
 R 538 WAS SELECTED
 R 541 WAS 1K
 R 542 WAS BRIDGED FOR A MINIMUM OF

K4XL's **BAMA**

This manual is provided **FREE OF CHARGE** from the "BoatAnchor Manual Archive" as a service to the Boatanchor community.

It was uploaded by someone who wanted to help you repair and maintain your equipment.

If you paid anyone other than BAMA for this manual, you paid someone who is making a profit from the free labor of others without asking their permission.

You may pass on copies of this manual to anyone who needs it. But do it without charge.

Thousands of files are available without charge from BAMA. Visit us at <http://bama.sbc.edu>